

# Light Curtain for Measuring Tasks

## OSEI501Z0103

Part Number



- Test input

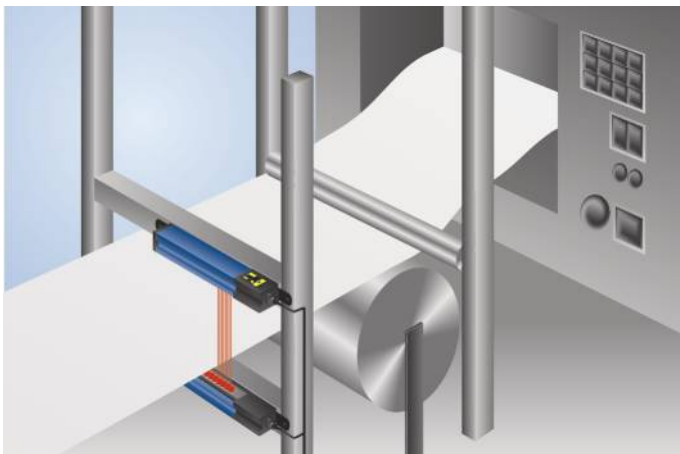
### Technical Data

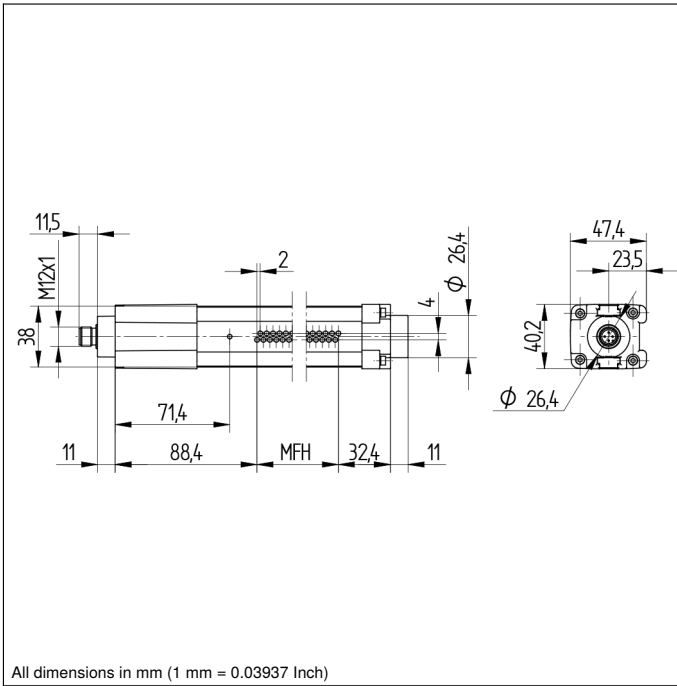
Optical Data	
Range	2000 mm
Measurement Field Height (MFH)	50 mm
Beam Distance	2 mm
Light Source	Infrared Light
Service Life (T = +25 °C)	100000 h
Electrical Data	
Sensor Type	Emitter
Supply Voltage	18...30 V DC
Current Consumption (U <sub>b</sub> = 24 V)	< 60 mA
Temperature Drift	< 10 %
Temperature Range	-25...60 °C
Reverse Polarity Protection	yes
Test input	yes
Protection Class	III
Mechanical Data	
Housing Material	Aluminum
Degree of Protection	IP65
Connection	M12 × 1; 4-pin
Connection Diagram No.	<b>1018</b>
Control Panel No.	<b>K3</b>
Suitable Connection Equipment No.	<b>2</b>
Suitable Mounting Technology No.	<b>700</b>

### Suitable Receiver

OOEI501U0135

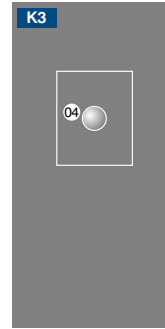
As these light curtains for measurement task are equipped with an integrated evaluation unit, external connection units are not needed. Objects are both recognized (via the digital output) and measured (via the analog output). The light curtains can be set up easily using the menu-controlled graphic display. Convenient parametrization and quick diagnosis is possible via the IO-Link interface. The adequate mounting angle BEF-SET-33 is included in the delivery.



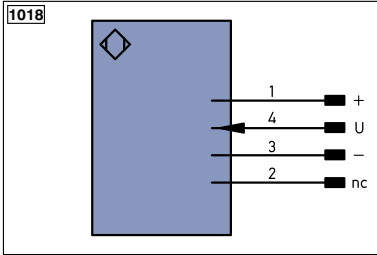


All dimensions in mm (1 mm = 0.03937 Inch)


### Ctrl. Panel



04 = Function Indicator



#### Legend

<b>+</b> Supply Voltage +	<b>PT</b> Platinum measuring resistor	<b>EN<sup>A</sup>RS422</b> Encoder A/Ā (TTL)
<b>-</b> Supply Voltage 0 V	<b>nc</b> not connected	<b>EN<sup>B</sup>RS422</b> Encoder B/B̄ (TTL)
<b>~</b> Supply Voltage (AC Voltage)	<b>U</b> Test Input	<b>EN<sup>A</sup></b> Encoder A
<b>A</b> Switching Output (NO)	<b>Ū</b> Test Input inverted	<b>EN<sup>B</sup></b> Encoder B
<b>Ā</b> Switching Output (NC)	<b>W</b> Trigger Input	<b>A<sub>MIN</sub></b> Digital output MIN
<b>V</b> Contamination/Error Output (NO)	<b>W-</b> Ground for the Trigger Input	<b>A<sub>MAX</sub></b> Digital output MAX
<b>Ṽ</b> Contamination/Error Output (NC)	<b>O</b> Analog Output	<b>A<sub>OK</sub></b> Digital output OK
<b>E</b> Input (analog or digital)	<b>O-</b> Ground for the Analog Output	<b>SY<sub>in</sub></b> Synchronization In
<b>T</b> Teach Input	<b>BZ</b> Block Discharge	<b>SY<sub>OUT</sub></b> Synchronization OUT
<b>Z</b> Time Delay (activation)	<b>A<sub>WV</sub></b> Valve Output	<b>OL<sub>T</sub></b> Brightness output
<b>S</b> Shielding	<b>a</b> Valve Control Output +	<b>M</b> Maintenance
<b>RxD</b> Interface Receive Path	<b>b</b> Valve Control Output 0 V	<b>rsv</b> reserved
<b>TxD</b> Interface Send Path	<b>SY</b> Synchronization	Wire Colors according to DIN IEC 757
<b>RDY</b> Ready	<b>SY-</b> Ground for the Synchronization	<b>BK</b> Black
<b>GND</b> Ground	<b>E+</b> Receiver-Line	<b>BN</b> Brown
<b>CL</b> Clock	<b>S+</b> Emitter-Line	<b>RD</b> Red
<b>E/A</b> Output/Input programmable	<b>±</b> Grounding	<b>OG</b> Orange
 <b>IO-Link</b>	<b>S<sub>nR</sub></b> Switching Distance Reduction	<b>YE</b> Yellow
<b>PoE</b> Power over Ethernet	<b>Rx+/-</b> Ethernet Receive Path	<b>GN</b> Green
<b>IN</b> Safety Input	<b>Tx+/-</b> Ethernet Send Path	<b>BU</b> Blue
<b>OSSD</b> Safety Output	<b>Bus</b> Interfaces-Bus A(+)/B(-)	<b>VT</b> Violet
<b>Signal</b> Signal Output	<b>L<sub>a</sub></b> Emitted Light disengageable	<b>GY</b> Grey
<b>Bl<sub>-D</sub>+/-</b> Ethernet Gigabit bidirect. data line (A-D)	<b>Mag</b> Magnet activation	<b>WH</b> White
<b>EN<sup>0</sup>RS422</b> Encoder 0-pulse 0-0̄ (TTL)	<b>RES</b> Input confirmation	<b>PK</b> Pink
	<b>EDM</b> Contactor Monitoring	<b>GN<sub>YE</sub></b> Green/Yellow

