

Switch with PoE

ZAC50EN02

Part Number

IndustrialEthernet



- 2 digital I/O ports
- 2 PoE-capable ports
- 4 Industrial Ethernet ports
- High protection class IP67
- Rugged aluminium housing

This switch allows simple connecting of up to four Industrial Ethernet products. Two PoE-capable ports supply connected devices with the needed power. In addition, up to four PNP sensors and actuators can be connected via two digital I/O ports.

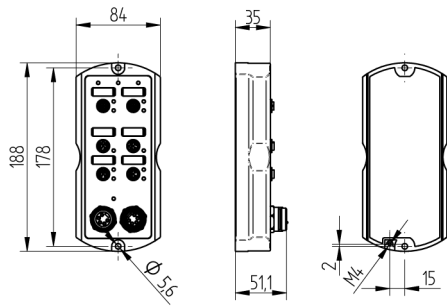
Technical Data

| Electrical Data | |
|--|-------------------------|
| Supply Voltage | 18...32 V |
| Power consumption of device max. | 0,25 A |
| Power consumption of system max. | 2 A |
| Max. PoE Capacity | 25 W |
| Max. Switching Current Switching Outputs | 0,6 A |
| max. total current of the digital I/O ports | 1 A |
| Switching Output Voltage Drop | < 2,5 V |
| Temperature Range | -25...60 °C |
| Digital I/O ports short circuit protected | yes |
| Digital I/O ports overload protected | yes |
| Digital I/O ports reverse polarity protected | yes |
| PoE Ports | 2 |
| Number of digital I/O ports | 2 |
| Supported PoE Standard | IEEE802.3af, IEEE802.at |
| Supported PoE Classes | Class 0, 1, 2, 3 |
| Baud Rate | 10/100 Mbit/s |
| Transmission Mode | Full/Half Duplex |
| Switch Mode | Store & Forward |
| VLAN Prioritization | yes |
| Auto-Crossover | yes |
| Auto-Negotiating | yes |
| Auto-Polarity | yes |
| Interface | EtherNet/IP™ |
| Protection Class | III |
| Mechanical Data | |
| Material | Aluminum |
| Weight | 870 g |
| Degree of Protection | IP67 |
| Type of Connection Power | 2 × 7/8", 5-pin |
| Type of Connection Industrial Ethernet Ports | 2 × M12; 4-pin |
| Type of Connection PoE Ports | 2 × M12; 8-pin |
| Type of connection digital I/O ports | 2 × M12; 4-pin |
| Web server | yes |
| EtherNet/IP™ | ● |
| Power Source Equipment for PoE | ● |
| Connection Table No. | 52 |
| Suitable Connection Equipment No. | 78 |

Complementary Products

Locking Screw for 7/8" Z0028

Locking Screw for M12 Z0027



All dimensions in mm (1 mm = 0.03937 Inch)

