



DATA SHEET	52104570
SKINDICHT® MR-M ATEX	valid from: 15.1.2016

The SKINDICHT® MR-M ATEX reducers with a guide groove for O-ring (recess) enable the use of cable gland with outer threads that are smaller than the existing threaded openings in machinery, devices and housings.



Components:

Reducer	Brass, nickel-plated
O-ring	NBR

Technical features:

External tread	M16x1,5 up to M63x1,5 acc. to EN 60423
Internal thread	M12x1,5 up to M50x1,5 acc. to EN 60423
Temperature range	-30 °C up to +90 °C
Protection class	IP66 and IP68 acc. to EN 60529

Category:	Equipment Group II Category 2G / 1D
------------------	----------------------------------------

Approvals:



EC Type Examination Certification	IBExU 03 ATEX 1010
IECEX Certificate	IECEX IBE 13.0028x

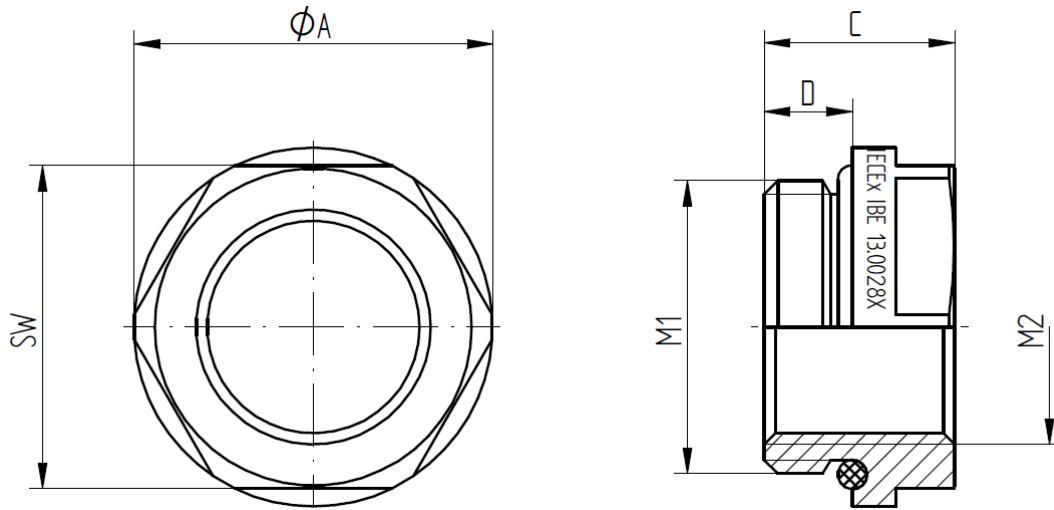
Norm references:



For more information please see our current catalogue.

elaborated by: PDP: T. Dvoulety	Document: DB52104570_2EN	page 1 of 2
------------------------------------	--------------------------	-------------

DATA SHEET	52104570
SKINDICHT® MR-M ATEX	valid from: 15.1.2016



External thread M1	Internal thread M2	SW [mm]	Ø A [mm]	C [mm]	D [mm]	Article No.
M16x1,5	M12x1,5	17	19	10,5	5	52104570
M20x1,5	M16x1,5	22	24,5	13	6	52104571
M25x1,5	M20x1,5	27	30,1	15	7	52104572
M32x1,5	M25x1,5	34	37,2	16,5	8	52104573
M40x1,5	M32x1,5	41	45,6	16,5	8	52104574
M50x1,5	M40x1,5	50	55,3	19,5	10	52104575
M63x1,5	M50x1,5	65	71,3	18,5	8,5	52104576