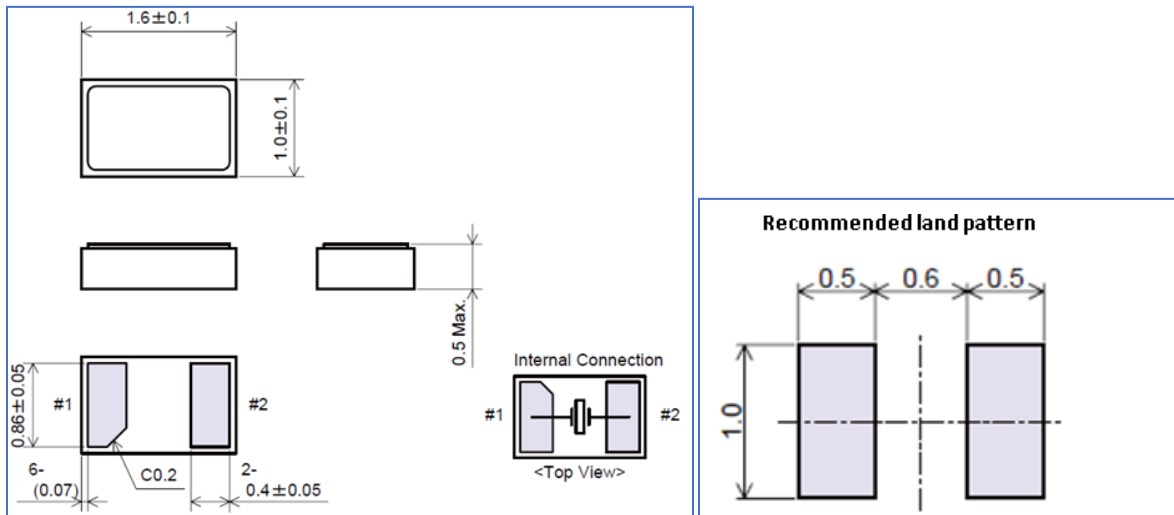


ECN/PCN No.: 3872

For Manufacturer			
Product Description: 32.768kHz SMD Low Profile Crystal	Abracon Part Number / Part Series: ABS05	<input type="checkbox"/> Documentation only <input checked="" type="checkbox"/> ECN <input type="checkbox"/> EOL	<input checked="" type="checkbox"/> Series <input type="checkbox"/> Part Number
Affected Revision: E	New Revision: F	Application: <input type="checkbox"/> Safety <input checked="" type="checkbox"/> Non-Safety	

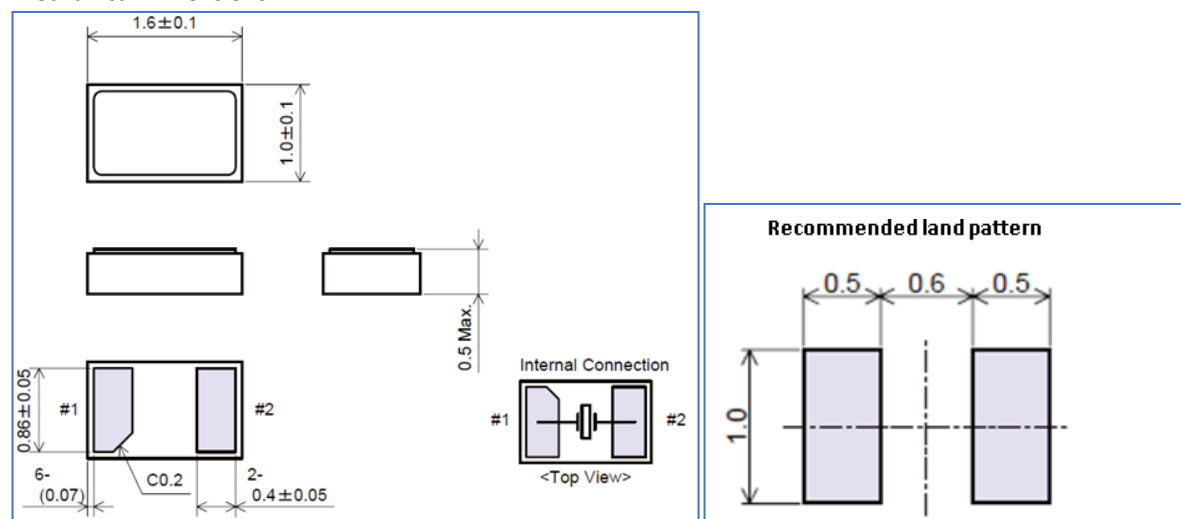
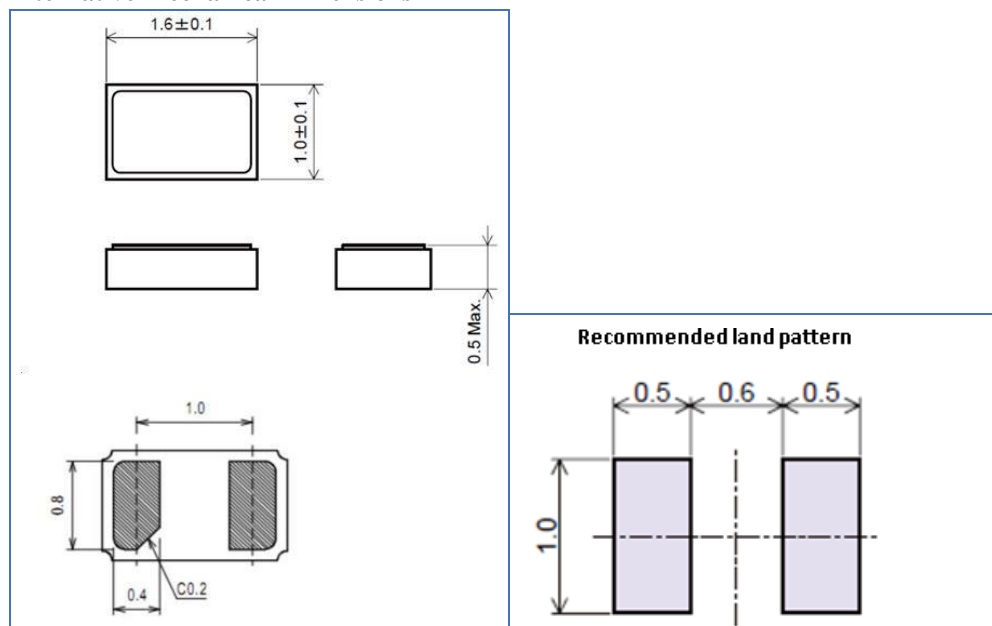
Prior to Change:

Mechanical Dimensions:



After Change:

Mechanical Dimensions:


Alternative Mechanical Dimensions #1

Cause/Reason for Change:

Abracon introduced additional manufacturing sources to ensure product availability and to be in a better position to meet long term customer demand. Additional package dimensions included to reflect the product produced by all manufacturing sources.

Change Plan
Effective Date:

07/07/2021

Additional Remarks:

N/A

Change Declaration:

- Mechanical Dimensions and Tolerances:
 - The package mechanical dimension revisions do not impact the electrical performance of the device.
- PCB Landing Pattern:
 - There is no impact on the PCB layout/landing pattern for customer's existing boards.

Issued Date: 07/07/2021	Issued By: <i>Brooke Cushman</i> Product Engineer	Issued Department: Engineering
Approval: <i>Thomas Culhane</i> Engineering Director	Approval: <i>Reuben Quintanilla</i> Quality Director	Approval: <i>Ying Huang</i> Purchasing Director
For Abracon EOL only		
Last Time Buy (if applicable): N/A	Alternate Part Number / Part Series: N/A	
Additional Approval: N/A	Additional Approval: N/A	Additional Approval: N/A
Customer Approval (If Applicable)		
Qualification Status: <div style="text-align: center;"> <input type="checkbox"/> Approved <input type="checkbox"/> Not accepted </div> <p><i>Note: It is considered approved if there is no feedback from the customer 1 month after ECN/PCN is released.</i></p>		
Customer Part Number:		Customer Project:
Company Name:	Company Representative:	Representative Signature:
Customer Remarks		