

## Dot laser, blue, 405 nm, 12 mW

DE405-12-6(22x65)  
Order Number: 70107852

Main Parameters (*)	min	typ	max	Unit
Wavelength		405		nm
Optical Output Power		12		mW
Operating Voltage	5.4	6	6.6	V DC
Operating Current	25	50	75	mA
Operating Temperature	-10		40	°C
Storage Temperature	-40		80	°C

### Main Data

Warranty 1 years

### Technical Parameters

Lifetime > 10,000 h  
RoHS yes

### Optical Parameters

Beam Shape	Dot
Laser Class	3B
Divergence	E - 0.6 mrad
Size of Laserdot	adjustable
Operating Distance	25 m
Optics	glass lens AR coated
Laser technology	Single Mode Diode
Focus	adjustable

### Electrical Parameters

Potential of Housing isolated  
Power Supply LFNT-6-C

### Mechanical Parameters

Size	Ø22x65 mm
Material	aluminium
Cable length	100 mm
Wire type	Belden, Typ 1007, 26AWG
Output Aperture	5 mm
Housing Color	black
Weight	40 g
Stripping of wire	5 mm

(\*) Over the complete operating temperature range

## Features



- Operating Voltage 6 V DC
- Laser Class 3B
- Adjustable focus
- Glas lenses anti reflex coated
- Low power consumption

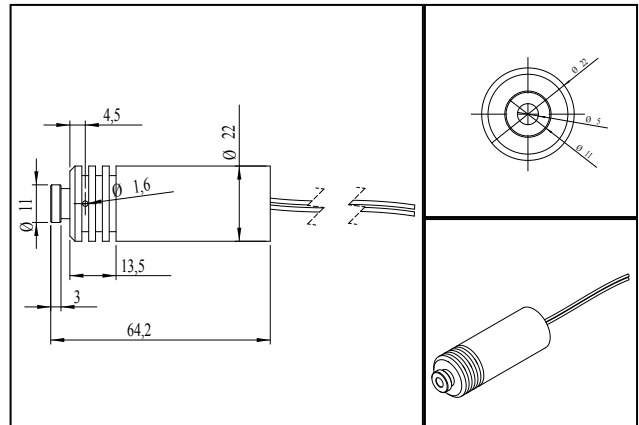
## Picture



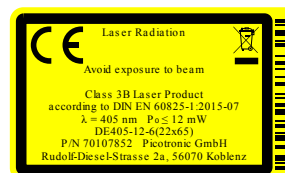
## Cable color

Ground		black	GND
positive		red	5.4 - 6.6, typ 6 V DC

## Drawing



## Safety Label



## Valid Revision

4 | 10-FEB-2020