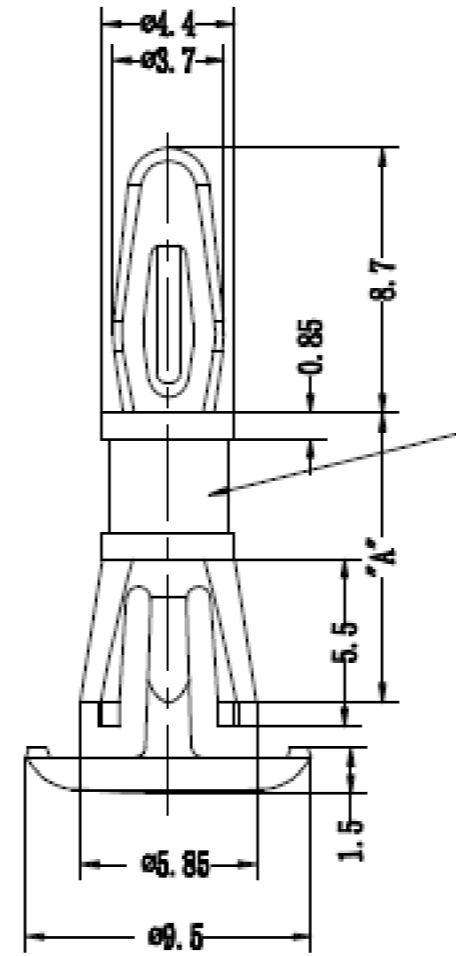
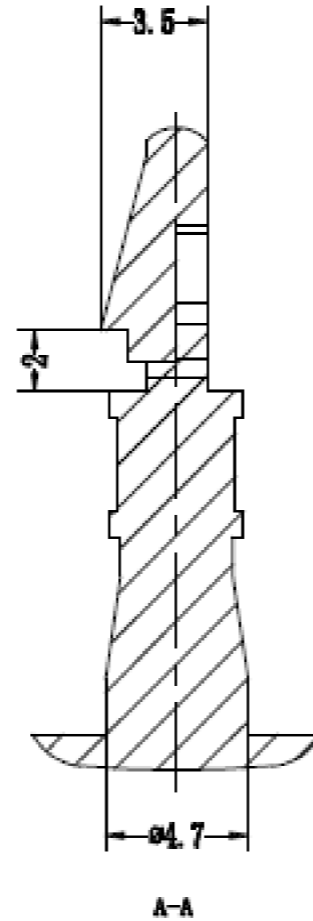
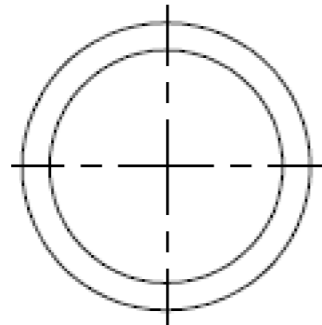
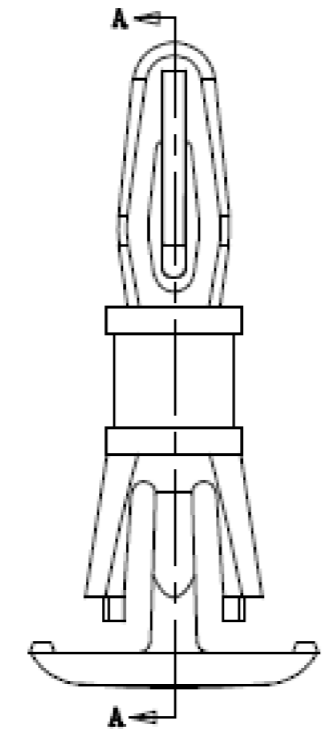
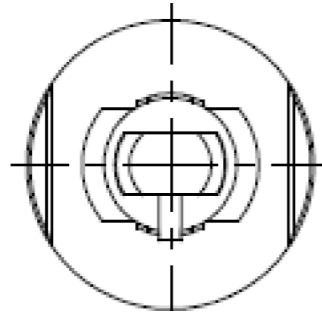


DEBUR AND BREAK SHARP EDGES

DO NOT SCALE DRAWING

REVISION



| PART No. | "A" |
|----------------|------|
| TRRLCBSR-4-01 | 6.4 |
| TRRLCBSR-5-01 | 7.9 |
| TRRLCBSR-6-01 | 9.5 |
| TRRLCBSR-7-01 | 11.1 |
| TRRLCBSR-8-01 | 12.7 |
| TRRLCBSR-9-01 | 14.3 |
| TRRLCBSR-10-01 | 15.9 |

C 2 Pt.NO'S ADDED
M.E. 29/07/14
B DRG No CHANGED
M.E. 19/06/14
A DRAWN 01/11/13

NOTES

1. MATERIAL: Nylon66 UL94V-2;
2. COLOR: NATURAL;
3. ROHS Compliant;
4. Top Hole Dia: $3.2 \pm 0.05\text{mm}$,
Panel Thickness: 1.6mm;
5. Bottom Hole: $\varnothing 4.8 \pm 0.05\text{mm}$,
Panel Thickness: 1.6mm;



DESIGN RIGHT. TR FASTENINGS LTD, 2003
UNDER NO CIRCUMSTANCES MUST THIS
DRAWING BE COPIED OR DISCLOSED,
WITHOUT FIRST OBTAINING WRITTEN
AUTHORITY.

UNLESS OTHERWISE SPECIFIED:
DIMENSIONS ARE IN MILLIMETERS
SURFACE FINISH:
TOLERANCES:

| NAME | DATE |
|-----------------------|----------|
| DRAWN: MARTIN ELLIOTT | 01/11/13 |
| CHK'D | |
| APP'VD | |

CUSTOMER PART No

MATERIAL:

SEE NOTES

HEAT TREATMENT

N/A

FINISH:

N/A

TITLE:

REVERSE LOCKING CIRCUIT
BOARD SUPPORT

DWG NO.

TRRLCBSR-X-01

A3