


# TOGGLE SWITCHES

PRODUCT NUMBER 1818.1302

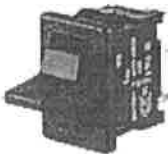


## TECHNICAL DATA

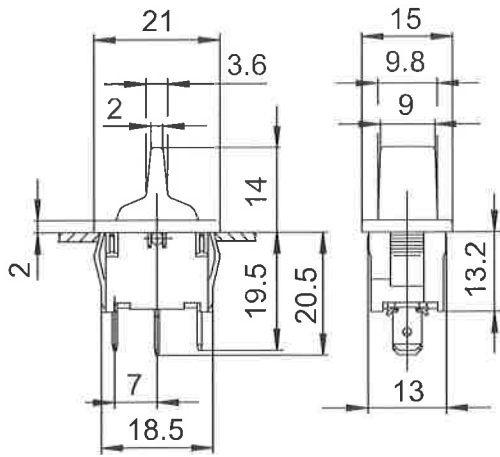
Product number	1818.1302	
Actuator color / printing		
Product family	Toggle switches	
Actuation type	direct	
Weight	4.215 g	
ROHS conform	yes	
Distributor	REPRO	
Switching function	Changeover switch with OFF position in the center (SPDT - Center OFF)	
Material fixed contact	Cu silver-plated	
Number of poles	1 - pole	
connections	Quick-connect terminal, 4.8 x 0.8	
Mechanical life endurance	5E4	
Rating IEC	6 (2) A 250 V AC 1E4	
Rating North America	6 A 125 - 250 V AC 1/8 HP	
Contact resistance (new condition)	< 100 (1 A 12 V DC) mOhm	
Insulation resistance (new condition)	> 100 (500 V DC) MOhm	
Voltage strength at 250 V	→ function insulation / basic insulation	1 500 V
	→ reinforced insulation	3 000 V
	→ small contact distance	500 V
Proof tracking	250 PTI	
Insulation spacing	acc. to EN 61058 for reinforced or double insulation	
Protection type	→ Connection	IP 40
	→ Actuator	IP 40
Ambient temperature	-20 °C ... +100 °C	

Ambient temperature	-20 °C ... +55 °C	
Storage temperature	-40 °C ... +80 °C	
Flammability	UL 94 V-2	
Glow wire test temperature	850 °C	
Actuators and additional actuators	lever: PA, black	
Housing description	housing: PA, black	
Connection surface	→ bearing connection	silver plated
	→ external connection	silver plated
Contact material	Ag	
Contact distance	< 3 mm	
Rating Code UL	R 58	
Contact type	lifting contact	
Plug force of the terminals	≤ 80 N	
Approval marks	CSA / UL / ENEC 05	
Suitable for appliances of protection class	II	
Miscellaneous	momentary function both sides	
Additional labeling	site, year, week of manuf. acc. to DIN EN 60062	
Type of fastening	Snap fastening	
Degree of pollution	3	

## PRODUCT IMAGE



## DRAWINGS



X	Y	Z
0,75 ... 1,25	19,2 -0,1	12,9 +0,1
1,25 ... 2	19,4 -0,1	12,9 +0,1
2 ... 3	19,8 -0,1	12,9 +0,1

X = wall thickness

Technical changes reserved. Dimensions are not binding.  
Detailed specifications available on request.

Marquardt GmbH · Schloss-Straße 16 · 78604 Rietheim-Weilheim · Germany  
Phone: +49 (0) 7424 / 99-0 · Fax: +49 (0) 7424 / 99-2399 · [www.marquardt.com](http://www.marquardt.com) · [marquardt@marquardt.de](mailto:marquardt@marquardt.de)