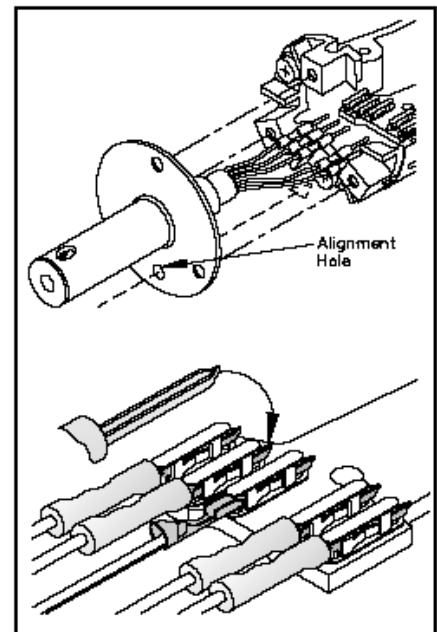


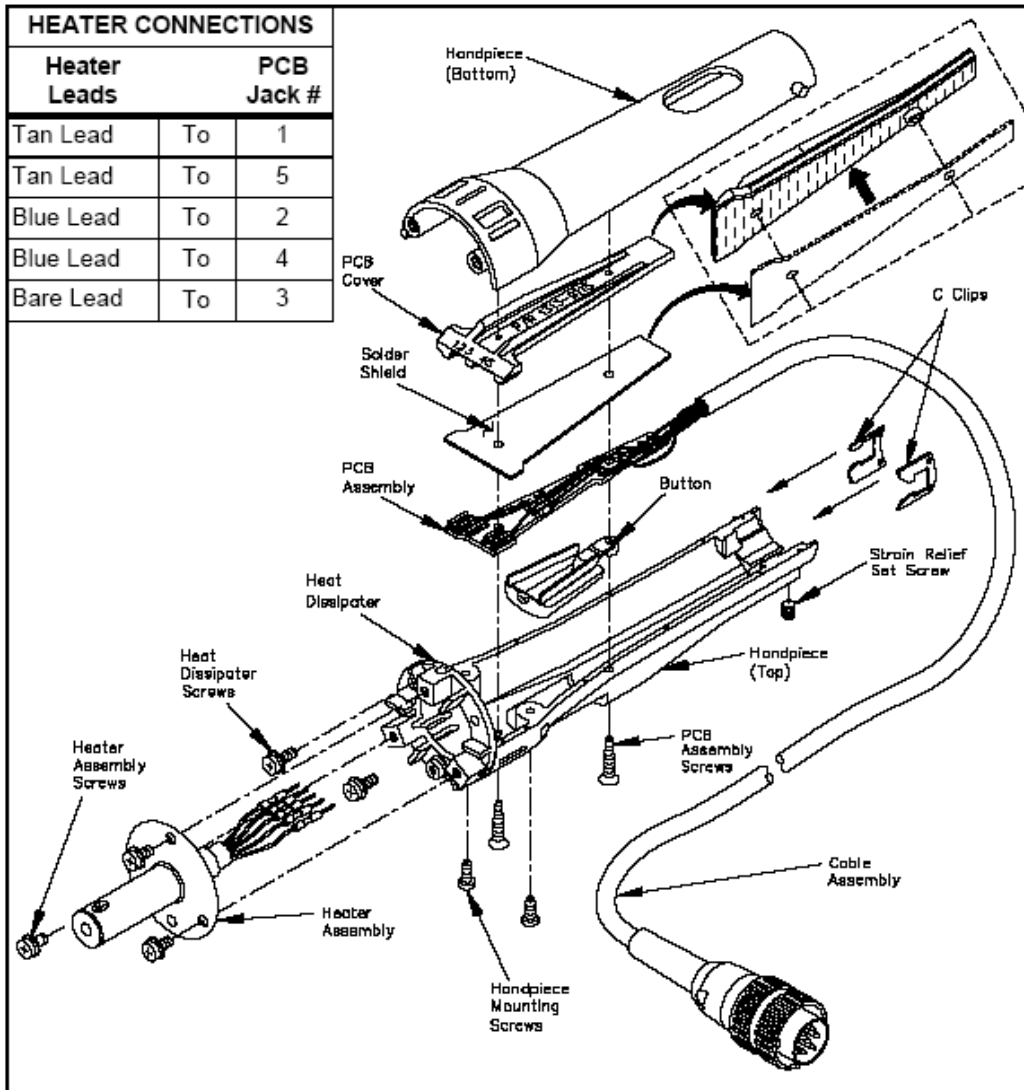


**SX-70 SODR-X-TRACTOR HANDPIECE
HEATER ASSEMBLY PACE P/N 6010-0080
REPLACEMENT INSTRUCTIONS
MANUAL NUMBER 5050-0279 REV. F**

Ensure that the heater assembly of your handpiece is defective by referring to the Corrective Maintenance section of the SX-70 manual. To replace the SX-70 Heater, ensure that the heater is at room temperature & perform the following procedure using the illustration as a guide.

1. Remove and set aside any installed tip from the handpiece.
2. Disconnect the SX-70 handpiece from the power receptacle of the power source.
3. Remove the end cap assembly & solder collection chamber from handpiece.
4. Remove the two (2) C Clips located at the rear of the handpiece.
5. Remove the two (2) Handpiece Mounting Screws which secure the top and bottom halves of the handpiece together.
6. Remove the three (3) Heater Assembly Screws. Allow the Heater to hang loose. **DO NOT** pull the Heater from the handpiece at this time.
7. Remove the two (2) Heat Dissipater Screws which attach the Heat Dissipater to the Handpiece (Bottom). Refer to the illustration. **DO NOT** remove the third screw attaching the Heat Dissipater to the Handpiece (Top).
8. Remove the Handpiece (Bottom).
9. Remove the two (2) PCB Assembly Screws. Set the PCB Cover aside. Discard Solder Shield (if present).
10. Disconnect the five (5) Heater leads plugged into the Cord and Switch Assembly. Remove the Heater from the handpiece.
11. Insert the wire leads of the replacement Heater assembly through the Heat Dissipater. Align Heater assembly with the Alignment Hole (on heater flange) directly over the Heat Dissipater Screw.
12. Using needle nose pliers, carefully plug the five (5) color coded wire leads of the replacement Heater assembly into the receptacles of the PCB Assembly. Ensure that the leads are inserted as shown with the flat surface of the metal pins down against the PCB. Plug the Tan leads into the jacks along either edge of the pcb (#1 and #5; see PCB Cover markings on illustration). Plug the bare metal lead into the center jack (#3). Plug the two (2) Blue leads into the two (2) remaining jacks (#2 and #4).
13. Place the replacement Solder Shield on the bottom of the PCB Cover, aligning the holes in the Solder Shield with the 2 holes on the cover. Press the hole at the rear (small end) of the Solder Shield over the shoulder (with hole) at the rear of the PCB Cover. This will hold the Solder Shield in position on the cover.
14. Place the PCB Cover (with attached Solder Shield) back over the PCB Assembly. Attach to the handpiece using the two (2) screws removed in step #9.
15. Reassemble the handpiece in the following order.
 - a) Replace the Handpiece (Bottom) removed in step #8.
 - b) Replace the two (2) Heat Dissipater Screws removed in step #7.
 - c) Replace the three (3) Heater assembly Screws removed in step # 6.
 - d) Replace the two (2) Handpiece Mounting Screws removed in step #5.
 - e) Replace the two (2) C Clips removed in step #4.
 - f) Replace the solder collection chamber and the end cap assembly removed in step #3. Replace the tip.
16. Connect the handpiece to the power source. **NOTE** - A small amount of smoke will be emitted for a short period of time when the heater is initially powered up.





PACE Incorporated retains the right to make changes to specifications contained herein at any time, without notice. Contact your local authorized PACE Distributor or PACE Incorporated to obtain the latest specifications.

The following are trademarks and/or service marks of PACE, Incorporated, MD, USA:

INSTACAL™, FUMEFLO™, HEATWISE™, PACEWORLDWIDE™, PERMAGROUND™, POWERPORT™, POWERMODULE™, TEMPWISE™, TIP-BRITE™, AUTO-OFF™, and TEKLINK™.

The following are registered trademarks and/or service marks of PACE Incorporated, Annapolis Junction Maryland U.S.A.

ARM-EVAC®, FLO-D-SODR®, MINIWAVE®, PACE®, SENSATEMP®, SNAP-VAC®, SODRTEK®, SODR-X-TRACTOR®, ST 325®, THERMOJET®, THERMOTWEEZ®, VISIFILTER®, THERMO-DRIVE®, and TOOLNET®.

PACE products meet or exceed all applicable military and civilian EOS/ESD, temperature stability and other specifications including MIL STD 2000, ANSI/JSTD 001, IPC7711, and IPC A-610.

Additional copies of this manual or other PACE literature may be obtained from:



PACE Incorporated
 9030 Junction Drive
 Annapolis Junction,
 MD 20701
 Tel: (301) 490-9860
 Fax: (301) 498-3252

PACE Europe Limited
 13 Tanners Drive
 Blakelands
 Milton Keynes
 Tel: (44) 1908-277666
 Fax: (44) 1908-277777