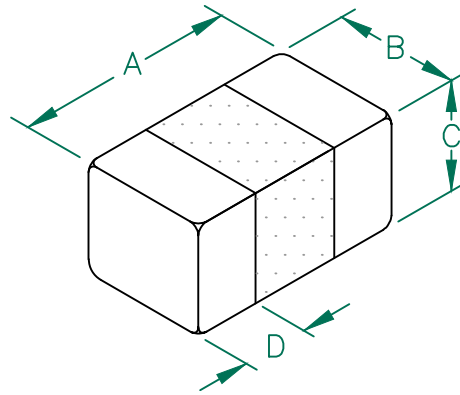


MI0402K121R-10

PHYSICAL DIMENSIONS:

A	1.00 [.039]	+ 0.05 [.002]
B	0.50 [.020]	+ 0.05 [.002]
C	0.50 [.020]	+ 0.05 [.002]
D	0.20 [.008]	+ 0.10 [.004]



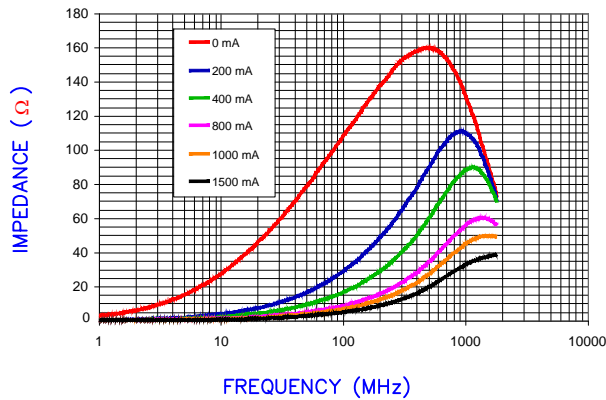
ELECTRICAL CHARACTERISTICS:

Z @ 100MHz (Ω)	DCR (Ω)	Rated Current
Nominal	120	
Minimum	90	
Maximum	150	1500 mA

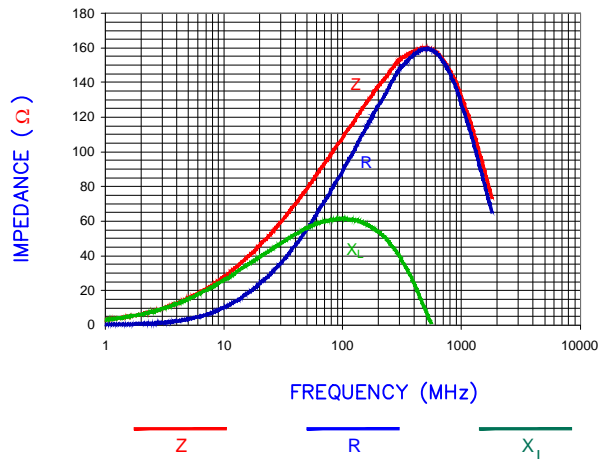
NOTES: UNLESS OTHERWISE SPECIFIED

1. TAPED AND REELED per CURRENT EIA SPECIFICATIONS 7" REELS, 10,000 PCS/REEL, PAPER TAPE.
2. TERMINATION FINISH IS 100% TIN.
3. COMPONENTS SHOULD BE ADEQUATELY PREHEATED BEFORE SOLDERING.
4. OPERATING TEMP. RANGE: $-40^{\circ}\text{C} \sim +125^{\circ}\text{C}$. (INCLUDING SELF-HEATING)
5. COSMETIC SPECIFICATION REFER TO WI-QA-124

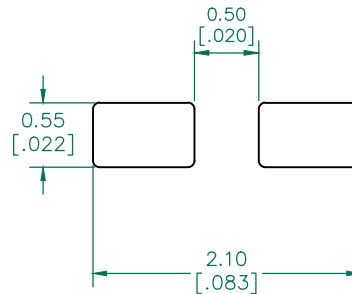
Z vs FREQUENCY
IMPEDANCE UNDER DC BIAS



|Z|, R, AND X vs. FREQUENCY

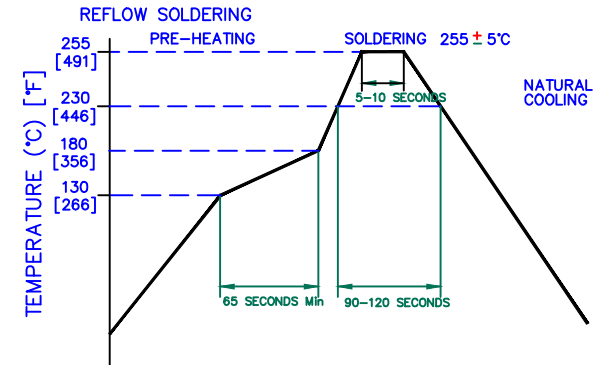


LAND PATTERNS FOR REFLOW SOLDERING



(For wave soldering, add 0.762 [.030] to this dimension.)

RECOMMENDED SOLDERING CONDITIONS



DIMENSIONS ARE IN mm [INCHES].				This print is the property of Laird Tech. and is loaned in confidence subject to return upon request and with the understanding that no copies shall be made without the written consent of Laird Tech. All rights to design or invention are reserved.			
D	ADD OPERATING TEMPERATURE UPDATE LAIRD LOGO AND REFLOW CURVE	08/05/13	QU	PROJECT/PART NUMBER:	REV	PART TYPE:	DRAWN BY:
C	CHANGE DCR FROM .130 TO .095	06/22/09	JRK	MI0402K121R-10	D	CO-FIRE	JRK
B	UPDATE Z CURVES	05/08/09	JRK	DATE:	SCALE:	NTS	SHEET:
A	ORIGINAL DRAFT	08/15/08	JRK	08/15/08			1 of 1
REV	DESCRIPTION	DATE	INT	CAD #	TOOL #		
				MI0402K121R-10-D			

