



MASTER VALUE LEDs pot LV



MASTER LED SPOT VLE D 7.5-50W MR16 930 36D

Philips MASTER VALUE MR16 is the series of Low Voltage (12VAC) Halogen MR16 replacements. Not only does it employ Philips' patented solution to guarantee the broadest possible compatibility with standard 12V Halogen electronic transformers. It also delivers beam intensity which is equivalent to the 50W Philips Halogen MR16 lamps. The form-factor of Philips MASTER Value LED MR16 guarantees a 100% form on the back-side of the lamp (exact form with Halogen lamps.)

Warnings and Safety

- Operating temperature range is between -20° C and 45° C ambient
- Only to apply in dry or damp locations and most of open fixtures with lamp-holders that offer sufficient space (10 mm free air space)
- Not intended for use with emergency light fixtures or exit lights

Product data

General information		Luminous Intensity (Nom)	
Cap-Base	GU5.3 [GU5.3]		1600 cd
CE mark	Yes	Color Designation	White (WH)
EU RoHS compliant	Yes	Correlated Color Temperature (Nom)	3000 K
Nominal Lifetime (Nom)	25000 h	Luminous Efficacy (rated) (Nom)	84 lm/W
Switching Cycle	50000	Color Consistency	<6
Flux measurement reference	Narrow Cone	Color Rendering Index (Nom)	90
Tier	MASTER Value	LLMF At End Of Nominal Lifetime (Nom)	70 %
		Luminous Flux in 90° Cone (Rated)	630 lm
Light technical		Operating and electrical	
Color Code	930 [CCT of 3000K]	Input Frequency	- Hz
Beam Angle (Nom)	36 °	Power (Nom)	7.5 W
Luminous Flux (Nom)	630 lm	Lamp Current (Nom)	660 mA

MASTER VALUE LEDspot LV

Wattage Equivalent	50 W
Starting Time (Nom)	0.5 s
Warm Up Time to 60% Light (Nom)	0.5 s
Power Factor (Nom)	0.7
Voltage (Nom)	ac electronic 12 V

Temperature

T-Case Maximum (Nom)	95 °C
----------------------	-------

Controls and dimming

Dimmable	Only with specific dimmers
----------	----------------------------

Mechanical and housing

Bulb Shape	MR16 [2inch/50mm]
------------	--------------------

Approval and application

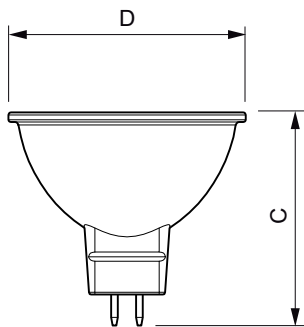
Energy Efficiency Class	F
-------------------------	---

Suitable For Accent Lighting	Yes
Energy Consumption kWh/1000 h	8 kWh
EPREL Registration Number	453181

Product data

Full product code	871951430734600
Order product name	MASTER LED SPOT VLE D 7.5-50W MR16 930 36D
EAN/UPC - Product	8719514307346
Order code	929002493302
Numerator - Quantity Per Pack	1
Numerator - Packs per outer box	10
Material Nr. (12NC)	929002493302
Net Weight (Piece)	0.045 kg

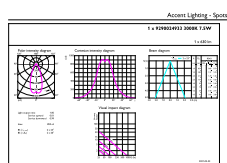
Dimensional drawing



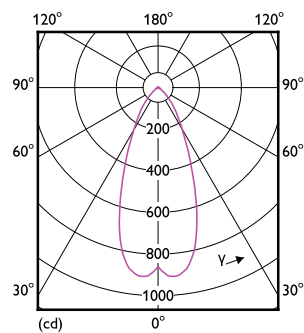
MASTER LED SPOT VLE D 7.5-50W MR16 930 36D

Product	D	C
MASTER LED SPOT VLE D 7.5-50W MR16 930 36D	50.5 mm	45.5 mm

Photometric data



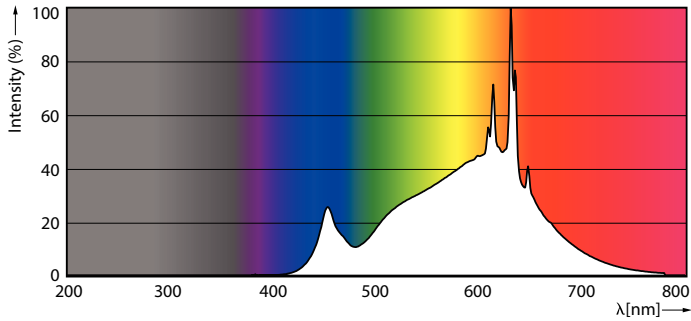
LEDspots MAS 7,5W MR16 GU5,3 930 36D



LEDspots MAS 7,5W MR16 GU5,3 930 36D

MASTER VALUE LEDspot LV

Photometric data



LEDspots MAS 7,5W MR16 GU5,3 930 36D

Lifetime



Life Expectancy Diagram



Lumen Maintenance Diagram

