

## DIN-Power code key type H



Image is for illustration purposes only. Please refer to product description.

Part number	09 06 001 9918
Specification	DIN-Power code key type H
HARTING eCatalogue	<a href="https://b2b.harting.com/09060019918">https://b2b.harting.com/09060019918</a>

### Identification

Category	Accessories
Series	DIN 41612
Type of accessory	Coding pin
Description of the accessory	for types H, MH 24 + 7
Features	lead-free

### Material properties

Material (accessories)	Thermoplastic
Colour (accessories)	RAL 7032 (pebble grey)
Material flammability class acc. to UL 94	V-0
RoHS	compliant
ELV status	compliant
China RoHS	e
REACH Annex XVII substances	Not contained
REACH ANNEX XIV substances	Not contained
REACH SVHC substances	Not contained
California Proposition 65 substances	Yes
California Proposition 65 substances	Antimony trioxide
Requirement set with Hazard Levels	R26

### Specifications and approvals

Railway classification	F4/I3 acc. to NFF 16-101/102
------------------------	------------------------------

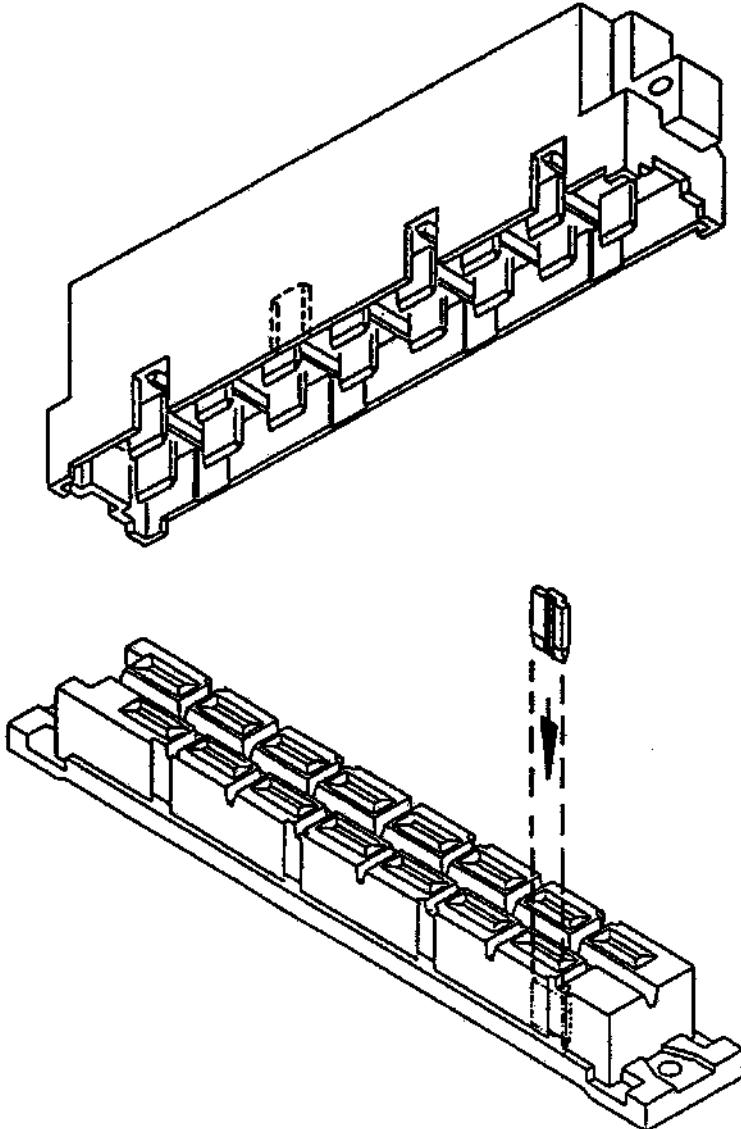


**Pushing Performance**  
Since 1945

## Commercial data

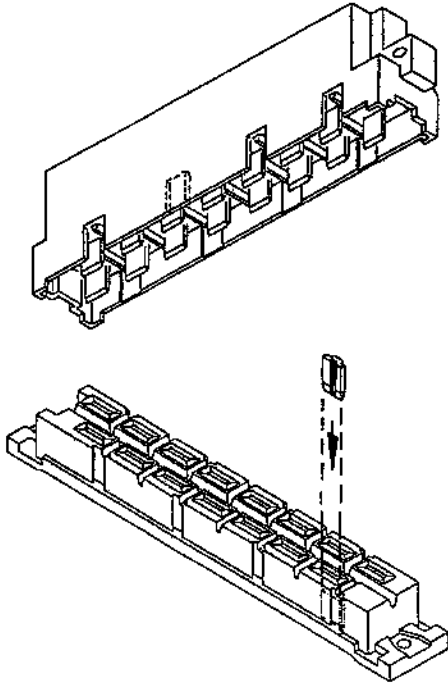
Packaging size	100
Net weight	0.09 g
Country of origin	Germany
European customs tariff number	85389099
GTIN	5713140010475
eCl@ss	27440203 Coding for industrial connectors

Shroud coding  
(without loss of contact)



To avoid cross-plugging of adjacent connectors a coding system is required. Insert the code key 09 06 001 9918 into one of the keyways of the female connector as shown in the drawing. Break out the corresponding area of the male shroud. Connectors coded this way can only be applied in a minimum rack spacing of 20.32 mm.

### Shroud coding



Insert the code key into one of the key ways of the female connector as shown in the drawing. Break out the corresponding area of the male shroud. Connectors coded this way can only be applied in a minimum rack spacing of 20.32 mm.