

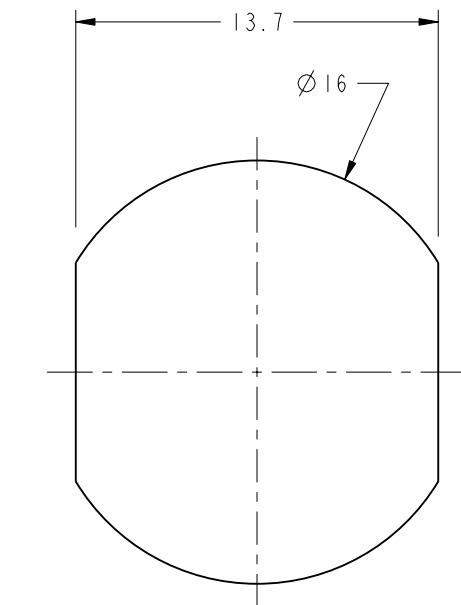
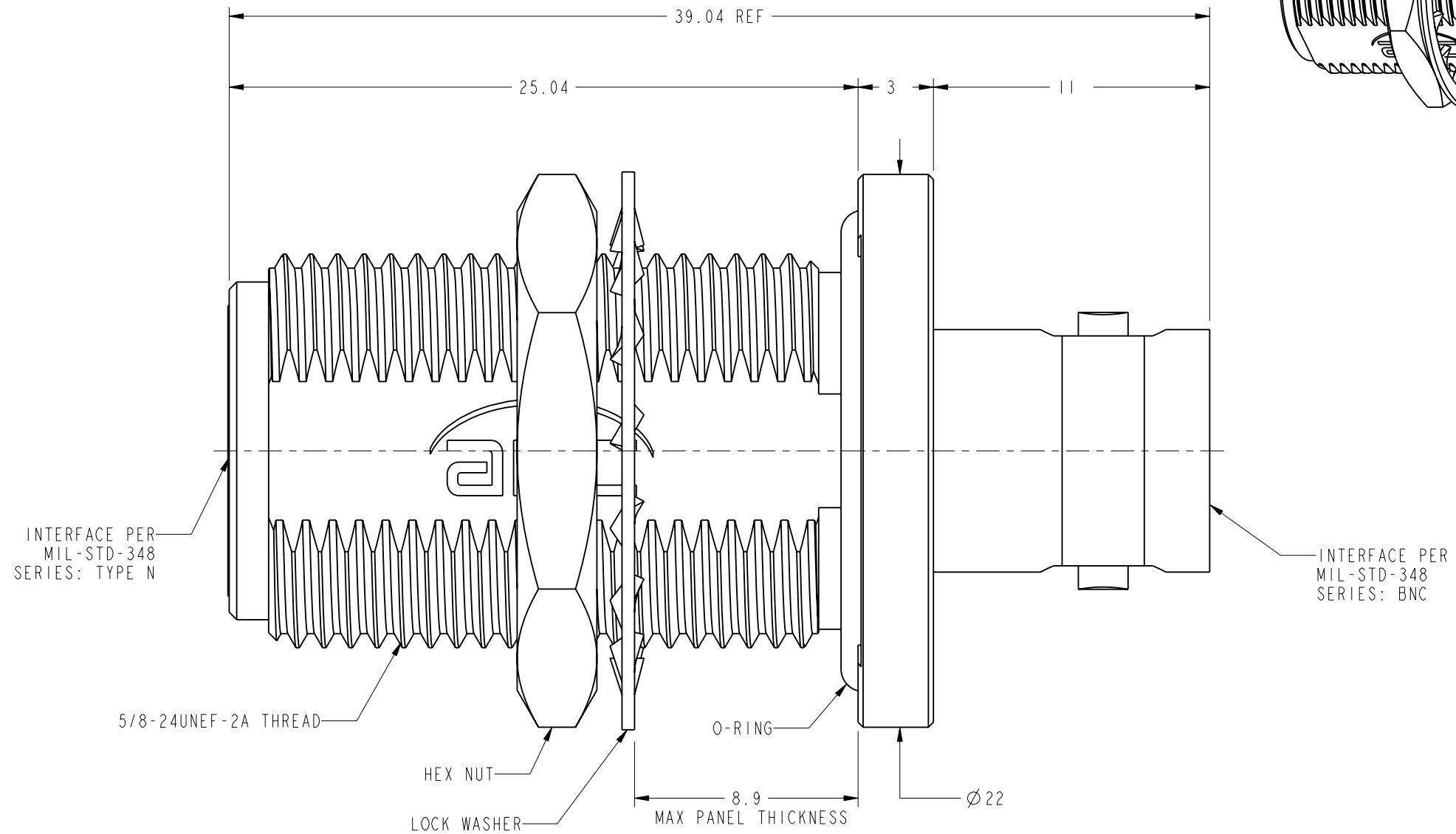
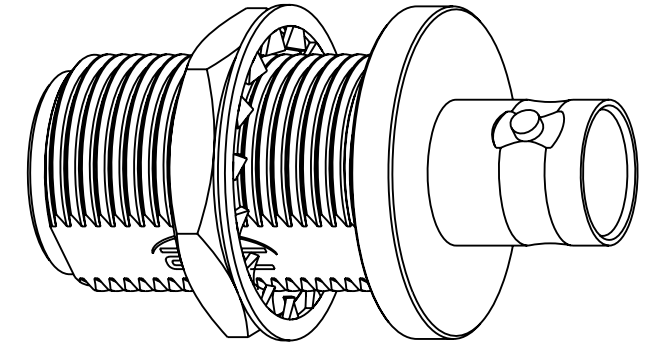
NOTES:

1. MATERIALS AND FINISHES:
 BODY - BRASS, NICKEL PLATING
 CONTACT - BeCu, GOLD PLATING
 INSULATOR - PTFE
 O-RING - SILICONE RUBBER
 HEX NUT - BRASS, NICKEL PLATED
 LOCKWASHER - PHOSPHOR BRONZE, NICKEL PLATED
2. ELECTRICAL:
 A. IMPEDANCE: 50 OHM
 B. FREQUENCY RANGE: DC - 4 GHz
 C. VSWR: 1.3 FROM DC TO 4 GHz
3. MECHANICAL:
 A. IP-67 COMPLIANT IN UNMATED CONDITION.
4. PACKAGING:
 A. QUANTITY: SINGLE PACK
 B. MARKING: BAG TO BE MARKED
 "AMPHENOL RF, 82-6532, AND DATE CODE"

THIRD ANGLE PROJ.

REVISIONS

REV	DESCRIPTION	DATE	ECO	APPR
A	RELEASE TO MFG.	03-Jan-12	49148	TD
B	ADD ARC LOGO TO BODY\RD-DM13082201J8	30-Aug-13	49619	RLB



RECOMMENDED PANEL CUTOUT DIMENSIONS

CUSTOMER OUTLINE DRAWING

ALL OTHER SHEETS ARE FOR INTERNAL USE ONLY

<p>UNLESS OTHERWISE SPECIFIED, DIMENSIONS ARE IN METRIC AND TOLERANCES ARE: <0.5mm ±0.05mm 0.5 - 6mm ±0.1mm 6 - 30mm ±0.2mm 30 - 120mm ±0.3mm ANGLES ±1°</p> <p>NOTICE - These drawings, specifications, or other data (1) are, and remain the property of Amphenol corp. (2) must be returned upon request; and (3) are confidential and not to be disclosed to any person other than those to whom they are given by Amphenol Corp. the furnishing of these drawings, specifications, or other data by Amphenol Corp., or to any other person to anyone for any purpose is not to be regarded by implication or otherwise in any manner licensing, granting rights to permitting such holder or any other person to manufacture, use or sell any product, process or design, patented or otherwise, that may in any way be related to or disclosed by said drawings, specifications, or other data.</p>	MATERIAL SEE NOTES	DRAWN J.CHEN	DATE 03-Sep-12	TITLE N BHD JACK TO BNC JACK 50 OHM ADAPTER, IP-67	Amphenol RF www.amphenolrf.com	
	REFERENCE	ENGINEER D.DAVE	DATE 17-Jan-12			
	CONFIGURATION LEVEL:	APPROVED S.HSIEH	DATE 05-Sep-13	SCALE: 4.5:1.0	SHEET 2 OF 2	DRAWING NO.82-6532
	FINISH	CAD FILE	DWG SIZE B	REV B	ITEM NO.82-6532	PART NO.82-6532