



Model Number

RL91-54-RT/49/59/73c

Retroreflective sensor
with 4-pin, M12 x 1 plastic connector

Features

- Retroreflective sensor for single-beam closing edge protection
- Narrow housing suitable for small gaps
- Sturdy plastic housing
- Various possibilities for mounting
- Version with red light
- Version for supply voltage of up to 30 V DC
- Dark on version

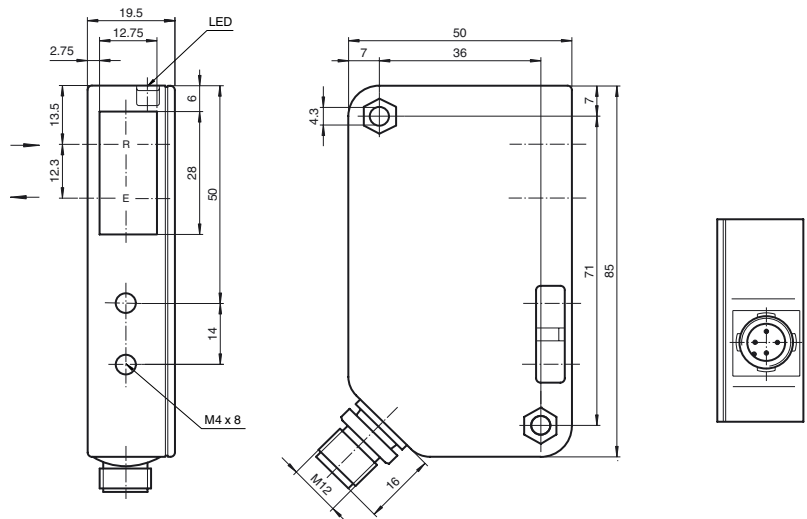
Product information

Concentration on the essentials is the hallmark of the 91 series. As ac/dc supply devices, these economical, reliable and easy-to-use photoelectric sensors can be used almost universally. Their narrow design means that they can be used in any environment.

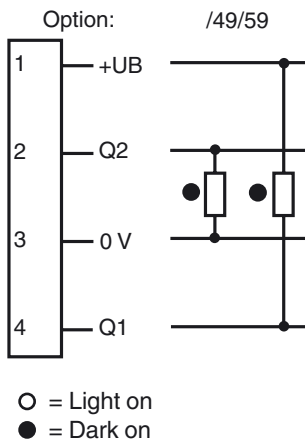
The single-beam photoelectric sensors of the 91 series are suitable for closing-edge monitoring for elevators, barriers and doors, as well as for object detection and object tracking in material handling systems.

Release date: 2015-02-05 10:18 Date of issue: 2015-02-05 419070_eng.xml

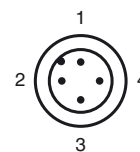
Dimensions



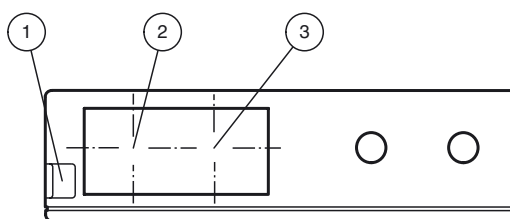
Electrical connection



Pinout



Indicators/operating means



1	Functional display	red
2	Optical axis Receiver	
3	Optical axis Transmitter	

Technical data

General specifications

Effective detection range	0 ... 4 m
Reflector distance	0.2 ... 4000 mm
Threshold detection range	8 m
Reference target	H85-2 reflector
Light source	LED
Light type	modulated visible red light
Diameter of the light spot	approx. 160 mm at a distance of 4000 mm
Angle of divergence	approx. 2.5 °
Ambient light limit	90000 Lux

Functional safety related parameters

MTTF _d	1083.4 a
-------------------	----------

Indicators/operating means

Function indicator	LED red, flashes when falling short of the stability control
--------------------	--

Electrical specifications

Operating voltage	U _B	12 ... 30 V DC
No-load supply current	I ₀	< 100 mA

Output

Switching type	dark on	
Signal output	1 NPN, 1 PNP synchronized-switching, short-circuit protected, reverse polarity protected	
Switching voltage	max. 30 V DC	
Switching current	200 mA	
Switching frequency	f	25 Hz
Response time	20 ms	

Ambient conditions

Ambient temperature	-20 ... 55 °C (-4 ... 131 °F)
Storage temperature	-20 ... 75 °C (-4 ... 167 °F)

Mechanical specifications

Degree of protection	IP65
Connection	4-pin, M12 x 1 connector
Material	
Housing	Luran
Mass	100 g

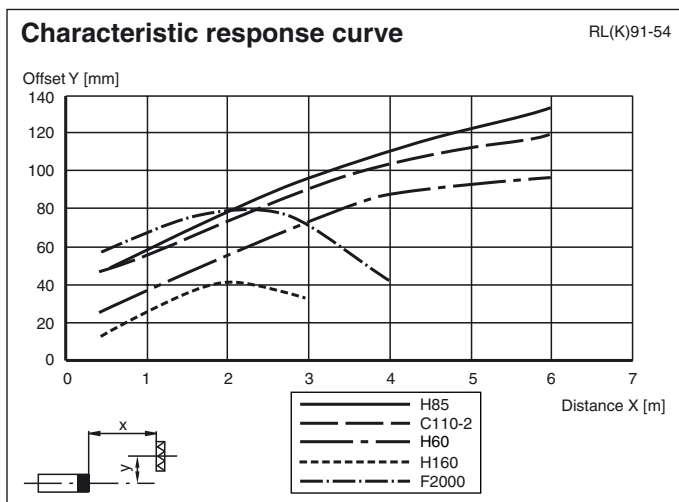
Compliance with standards and directives

Standard conformity	
Product standard	EN 60947-5-2:2007 IEC 60947-5-2:2007

Approvals and certificates

UL approval	cULus
CCC approval	CCC approval / marking not required for products rated ≤36 V

Curves/Diagrams



Typical applications

- Closing-edge monitoring for elevators, barriers and industrial doors
- Detecting and tracking objects in material handling

Detection area

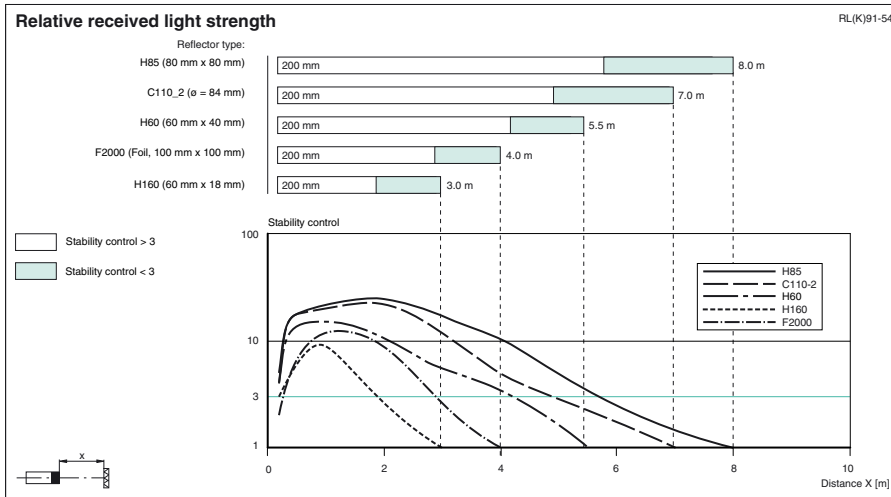


Accessories

OMH-91
Mounting bracket

Other suitable accessories can be found at www.pepperl-fuchs.com

Release date: 2015-02-05 10:18 Date of issue: 2015-02-05 419070_eng.xml



Operating principle

The retroreflective sensor contains the transmitter and receiver in a single housing. The light from transmitter is beamed back from a reflector to the receiver. If an object interrupts the light beam the switching function is initiated.