

ATEX Compliant Solid-state Switch / Direct Mounting

D-M9N(V)-588•D-M9P(V)-588•D-M9B(V)-588

CE Ex II 3G Ex nA II T5 X -10°C ≤ Ta ≤ +60°C
II 3D tD A22 IP67 T93°C X



Note All other specifications (dimensions, drawings, etc.) are the same as the non ATEX type.

Auto Switch Specifications

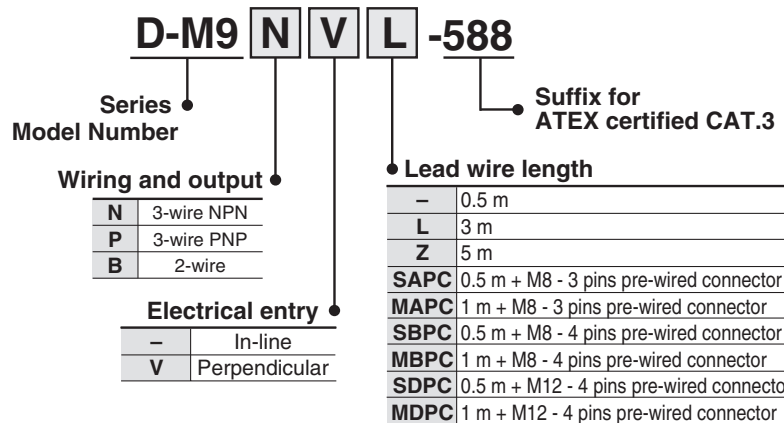
PLC: Programmable Logic Controller

D-M9□/ D-M9□V (With indicator light)						
Auto switch part no.	D-M9N	D-M9NV	D-M9P	D-M9PV	D-M9B	D-M9BV
Electrical entry direction	In-line	Perpendicular	In-line	Perpendicular	In-line	Perpendicular
Wiring type	3-wire			2-wire		
Output type	NPN		PNP		—	
Applicable load	IC circuit, Relay, PLC				24 VDC relay, PLC	
Power supply voltage	5, 12, 24 VDC (4.5 to 28 VDC)					—
Current consumption	10 mA or less					—
Load voltage	28 VDC or less		—		24 VDC (10 to 28 VDC)	
Load current	40 mA or less					2.5 to 40 mA
Internal voltage drop	0.8 V or less at 10 mA (2 V or less at 40 mA)					4 V or less
Leakage current	100 μA or less at 24 VDC					0.8 mA or less
Indicator light	Red LED illuminates when turned ON.					

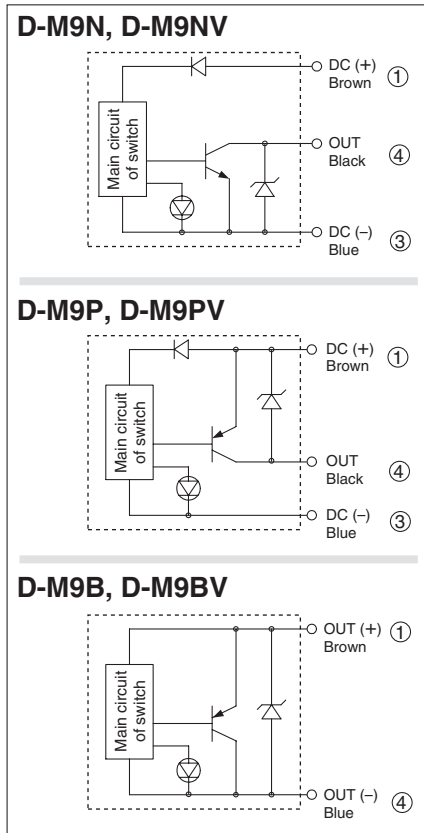
- Lead wires: Oilproof flexible heavy-duty vinyl cord: ø2.7 x 3.2 ellipse, 0.15mm², 2 cores (D-M9B(V)), 3 cores (D-M9N(V)), (D-M9P(V))
- This category 3 type autoswitch can only be used in zones 2 and 22.

How to Order

Standard Model Number



Auto Switch Internal Circuit



Connector Specifications

Connector type	M8-3 pins	M8-4 pins	M12-4 pins
Pin arrangement			



ATEX Compliant 2-Colour Solid State Switch: Direct Mounting

Series D-M9NW(V)/D-M9PW(V)/D-M9BW(V)-588

II 3G Ex nA II T5 X -10°C ≤ Ta ≤ +60°C
II 3D tD A22 IP67 T93°C X



Note) All other specifications (dimensions, drawings, etc.) are the same as the non ATEX type.

Auto Switch Specifications

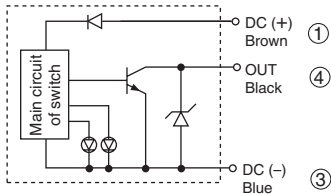
PLC: Programmable Logic Controller

D-M9□W/D-M9□WV (With 2 colour indicator light)						
Auto switch part no.	D-M9NW	D-M9NWV	D-M9PW	D-M9PWV	D-M9BW	D-M9BWV
Electrical entry direction	In-line	Perpendicular	In-line	Perpendicular	In-line	Perpendicular
Wiring type	3-wire			2-wire		
Output type	NPN		PNP		—	
Applicable load	IC circuit, Relay, PLC				24 VDC relay, PLC	
Power supply voltage	5, 12, 24 VDC (4.5 to 28 V)				—	
Current consumption	10 mA or less				—	
Load voltage	28 VDC or less		—		24 VDC (10 to 28 VDC)	
Load current	40 mA or less				2.5 to 40 mA	
Internal voltage drop	0.8 V or less at 10 mA (2 V or less at 40 mA)				4 V or less	
Leakage current	100 μA or less at 24 VDC				0.8 mA or less	
Indicator light	Operating position Red LED illuminates. Optimum operating position Green LED illuminates.					

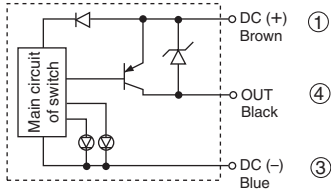
- Lead wires — Oilproof flexible heavy-duty vinyl cord: ø2.7 x 3.2 ellipse, 0.15 mm², 2 cores (D-M9BW(V)), 3 cores (D-M9NW(V), D-M9PW(V))
- This category 3 type autoswitch can only be used in zones 2 and 22.

Auto Switch Internal Circuit

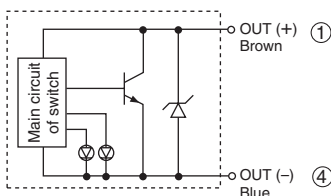
D-M9NW, D-M9NWV



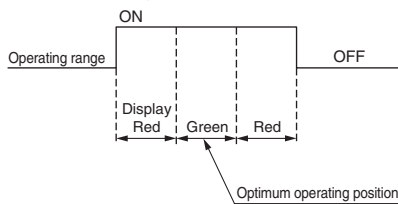
D-M9PW, D-M9PWV



D-M9BW, D-M9BWV



Indicator light / Display method



How to Order

D-M9 N W V L -588

Model no. D-M9 N W V L -588

Wiring/Output type

N	3-wire NPN
P	3-wire PNP
B	2-wire

Electrical entry direction

-	In-line
V	Perpendicular

2 colour display

Suffix for ATEX certified CAT.3

Lead wire length

-	0.5 m
M	1 m
L	3 m
Z	5 m
SAPC	0.5 m + M8 - 3 pins pre-wired connector
MAPC	1 m + M8 - 3 pins pre-wired connector
SBPC	0.5 m + M8 - 4 pins pre-wired connector
MBPC	1 m + M8 - 4 pins pre-wired connector
SDPC	0.5 m + M12 - 4 pins pre-wired connector
MDPC	1 m + M12 - 4 pins pre-wired connector

Connector Specifications

Connector type	M8-3 pins	M8-4 pins	M12-4 pins
Pin arrangement			