

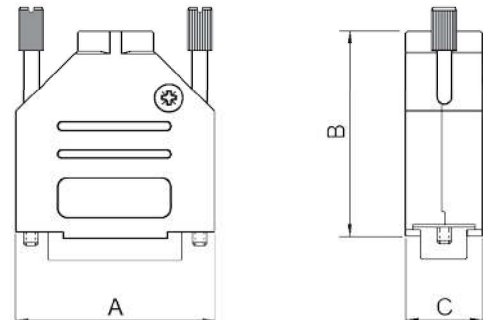
TECHNICAL SPECIFICATIONS

D-Sub Hood:

| | |
|------------------------|--|
| Material: | Zinc, Nickel Plated |
| Operating Temperature: | -40°C to +120°C |
| Cable Entry: | Top Entry |
| Thumbscrews: | UNC 4-40 (Standard) |
| Cable O.D: | Up to 11,5mm (Size 9-37) Up to 17mm (Size 50) |

D-Sub Crimp:

| | |
|------------------------|---------------------------------------|
| Insulator: | PBT, Black, UL94 V-0 |
| Shell: | Stamped Steel, Tin Plated |
| Contact pins: | Copper Alloy |
| Machined pins Class 2: | 200 inserts min |
| Contacts Plating: | Hard Gold over Nickel |
| Operating Temperature: | -55°C to +125°C |
| Test voltage: | 1000V |
| Insulator resistance: | <5GΩ |
| Crimp Area (AWG): | AWG 24-20 0.2 - 0.6mm ² |



D-Sub-Hood

Features:

- Available in sizes 9-15-25-37
- Packed in Kit with FEMALE/MALE Crimp-connector
- Re-openable
- Full Metal Jackscrew as standard.

| Size DTZK | Dim A | Dim B | Dim C |
|-----------|-------|-------|-------|
| 9-way | 31,0 | 39,5 | 15,0 |
| 15-way | 39,5 | 41,5 | 15,0 |
| 25-way | 53,5 | 48,5 | 15,0 |
| 37-way | 71,0 | 53,0 | 15,0 |

Ordering information:*D-Sub Connector Kits (100 inserts min.)*

| Size: | P/N - Kitted: | Product Code - MALE Conn. Kit |
|--------|---------------|-------------------------------|
| 9-way | 6355-0050-01 | DTZK09-DBCP-K |
| 15-way | 6355-0050-02 | DTZK15-DBCP-K |
| 25-way | 6355-0050-03 | DTZK25-DBCP-K |
| 37-way | 6355-0050-04 | DTZK37-DBCP-K |

| Size: | P/N - Kitted: | Product Code - FEMALE Conn. Kit |
|--------|---------------|---------------------------------|
| 9-way | 6355-0050-11 | DTZK09-DBCS-K |
| 15-way | 6355-0050-12 | DTZK15-DBCS-K |
| 25-way | 6355-0050-13 | DTZK25-DBCS-K |
| 37-way | 6355-0050-14 | DTZK37-DBCS-K |