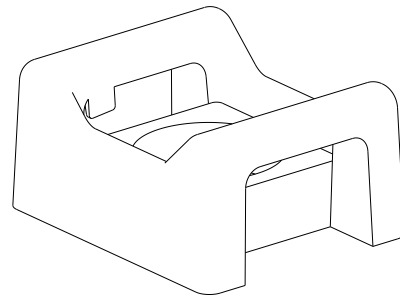
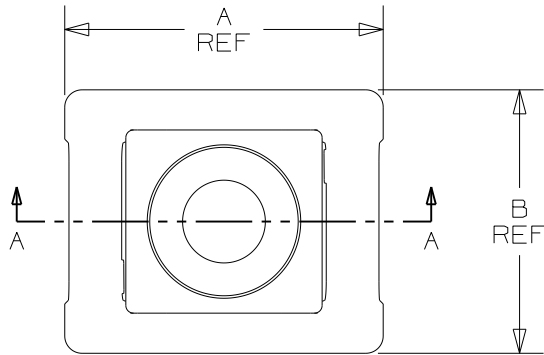
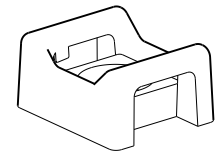


THIS COPY IS PROVIDED ON A RESTRICTED BASIS AND IS NOT TO BE USED IN ANY WAY DETRIMENTAL TO THE INTERESTS OF PANDUIT CORP.

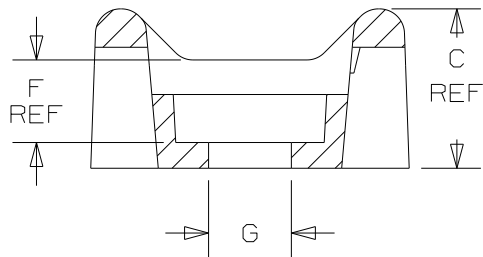
PANDUIT PART NO.	RECOMMENDED FASTENER	'A' REF	'B' REF	'C' REF	'D'	'E'	'F' REF	'G'	WEIGHT lbs (g) per 100 pcs	USE WITH CABLE TIE
HVTM-06-__	M6 SCREW	.81 [ 20.6 ]	.68 [ 17.3 ]	.41 [ 10.4 ]	.40 [ 10.2 ]	.11 [ 2.8 ]	.21 [ 5.3 ]	.24 [ 6.1 ]	.36 [ 165 ]	HV , IT



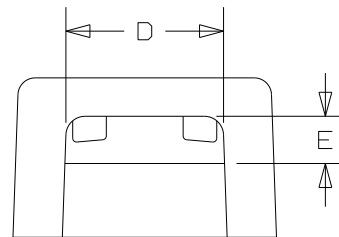
NOTES:  
1. SEE CURRENT PRICE SHEET FOR PART NUMBER SUFFIX DESIGNATION FOR PACKAGE SIZE.



ISOMETRIC  
1:1



SECTION A-A



DIMENSIONS IN BRACKETS ARE METRIC [ mm ]	
CAD FILENAME/LAYERS G03597JS_DC_G00239MA_04/00	
<b>PANDUIT</b> CORP. TINLEY PARK, ILLINOIS	
HYPER-V TIE MOUNT ( HVTM_____ )	
UNLESS OTHERWISE SPECIFIED, DIMENSIONAL TOLERANCES ARE: (.X) ±0.05 [ 1.3 ] (.XXX) ±0.010 [ 0.25 ] (.XX) ±0.02 [ 0.5 ] ANGLES ±5°	UNLESS OTHERWISE SPECIFIED, ALL DIMENSIONS ARE GIVEN IN INCHES, THIRD ANGLE PROJECTION.
DRAWN BY KLN	MAT'L : NYLON 6/6 WEATHER RESISTANT BLACK
DATE 02-07-06	SCALE 2:1
CHK'D	DRAWING NO. G0239MA
	DWG SIZE A

REV	DATE	BY	CHK	DESCRIPTION	ECN	- R	CUST	SUP
4	2/01/11	BWG	MJVE	REMOVED HVTM-05 AND HVMT3S10.	GB0239MA	4	PBC	