

# STLZ1550/..G-3.81-H-GREEN



### Technical Data

Wire Sizes	Insulating Material
Solid min -	Material PA 6.6
solid max -	Flammability Class UL 94 V-0
Stranded (flexible) -	<b>Temperatures</b>
min -	Operating Temperature -30 °C - 105 °C
Stranded (flexible) -	<b>Wave Soldering Process</b>
max -	Soldering Temperature, recommended 265 °C
Stranded with Ferrule -	Peak Soldering Time, recommended 3-4 s
min -	<b>Reflow Process</b>
Stranded with Ferrule -	Soldering Temperature, recommended -
max -	Peak Soldering Time, recommended -
<b>Dimensions</b>	
Stripped Length	
PCB Hole Diameter 1.2 mm	
<b>Materials</b>	
Contact Pin Copper Alloy	

### Colours

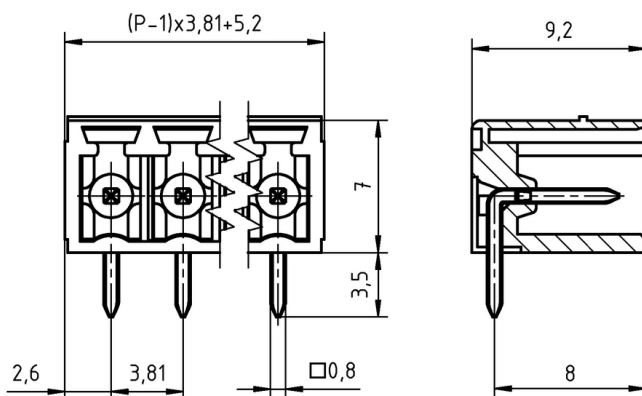
	GREEN, RAL6018
	BLACK, RAL9011
	BASALT GREY, RAL7012
	LIGHT GREEN, similar RAL 6018

Colours according to RAL, there may be variations on colour due to production conditions. Special colours on request.

### Counterparts (Spacing 3.81 mm)

Pin Strip/Terminal Blocks				
AKZ1550	AKZ4561	AKZ4551	AKZ1710	AKZ1700

If there are combinations with different ratings, the lower value is valid.



### Order Data (Spacing mm)

Poles	Width (mm)	Article Designation	Article Number	PU
2	9.01	STLZ1550/2G-3.81-H-GREEN	51550025025F	200
3	12.82	STLZ1550/3G-3.81-H-GREEN	51550035025F	200
4	16.63	STLZ1550/4G-3.81-H-GREEN	51550045025F	200
5	20.44	STLZ1550/5G-3.81-H-GREEN	51550055025F	200
6	24.25	STLZ1550/6G-3.81-H-GREEN	51550065025E	100
7	28.06	STLZ1550/7G-3.81-H-GREEN	51550075025E	100
8	31.87	STLZ1550/8G-3.81-H-GREEN	51550085025D	50
9	35.68	STLZ1550/9G-3.81-H-GREEN	51550095025D	50
10	39.49	STLZ1550/10G-3.81-H-GREEN	51550105025D	50
11	43.30	STLZ1550/11G-3.81-H-GREEN	51550115025D	50
12	47.11	STLZ1550/12G-3.81-H-GREEN	51550125025D	50
13	50.92	STLZ1550/13G-3.81-H-GREEN	51550135025D	50
14	54.73	STLZ1550/14G-3.81-H-GREEN	51550145025D	50
15	58.54	STLZ1550/15G-3.81-H-GREEN	51550155025D	50
16	62.35	STLZ1550/16G-3.81-H-GREEN	51550165025D	50
17	66.16	STLZ1550/17G-3.81-H-GREEN	51550175025D	50
18	69.97	STLZ1550/18G-3.81-H-GREEN	51550185025D	50
19	73.78	STLZ1550/19G-3.81-H-GREEN	51550195025D	50
20	77.59	STLZ1550/20G-3.81-H-GREEN	51550205025D	50

### Accessories

Figure	Designation	Article Number
	Coding star CS1-3.5/3.81-RED	50000000023

### Ratings



Usegroup	B	C	D	
Rated Voltage	300 V	-	300 V	160 V
Rated Current	8 A	-	8 A	10 A
Overtoltage Category				III
Test Voltage	1.6 kV	-	1.6 kV	2.5 kV
Pollution Degree				3