



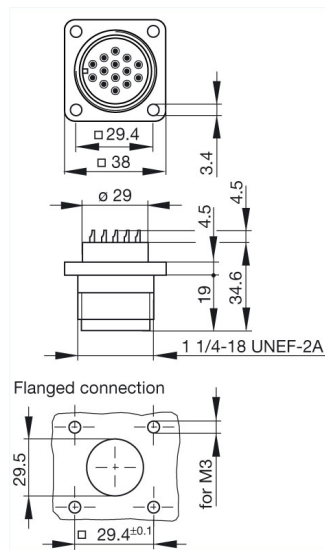
CM 02 E 20-27 P

Industrial Connectors:Circular connector CM-series:Surface mounted connector

Product description

Description	Surface mounted connector, with flange, with solder bucket
Type	CM 02 E 20-27 P
Order No.	933 062-100
Number of contacts	14 + PE
Conductor size	max. 1.5 mm ²
Standard	MIL-C 5015 bzw. VG 95 342
Housing Color	black

Drawing



Technical data

Pin dimensions	1.6 mm
Rated voltage	50 V AC/DC
Rated current	10 A
Contact resistance	<= 5 mOhm
Type of termination	solder
Shell size	20
Mounting	screws

Material

Contact surface material	Ag
Contact bearer material	PA 66-GF 25
Housing material	PA 66-GF 25

Environmental conditions

Protection class (IEC 60529)	IP 67
Pollution severity	3
Temperature range	-40 °C to +90 °C

Inflammability class

Flammability, UL standard	94 V-1
---------------------------	--------

Packing unit

Packaging unit 100 pieces

Scope of delivery and accessories

Scope of delivery 1 surface mounted connector

Accessories to order separately
can be plugged into
CM 06 EA 20-27S;
flat gasket CM 02 D 20,
order no. 733 818-002;
cap CM 02 SD 20,
order no. 831 766-100;