

- 1
- 2
- 3
- 4
- 5
- 6
- 7
- 8
- 9
- 10
- 11
- 12
- 13
- 14
- 15
- 16
- 17
- 18

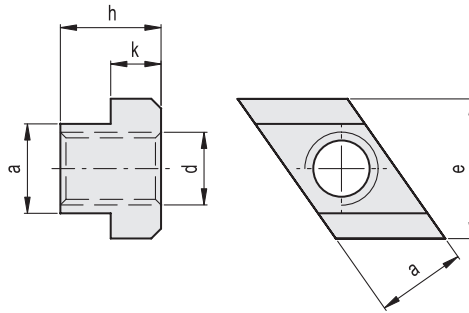
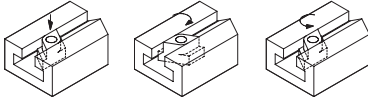
MATERIAL

Black-oxide steel, class 10 (tensile strength 1000 N/mm²).

FEATURES AND APPLICATIONS

GN 508.1 T-nuts can be put upright into the T-slots.

Application example



Code	Description	a-0.3-0.5	d	e-0.5	h	k-0.5	Groove width DIN 650	
GN.24701	GN 508.1-8-M6	8	M6	13	10	6	8	5
GN.24705	GN 508.1-10-M8	10	M8	15	12	6	10	9
GN.24711	GN 508.1-12-M10	12	M10	18	14	7	12	13
GN.24715	GN 508.1-14-M12	14	M12	22	16	8	14	23
GN.24721	GN 508.1-16-M14	16	M14	25	18	9	16	32
GN.24725	GN 508.1-18-M16	18	M16	28	20	10	18	44
GN.24731	GN 508.1-22-M20	22	M20	35	28	14	22	97