

GN 726.1 | Knurled control knobs

with graduated flange, aluminium



MATERIAL

Knurled aluminium profile, anodised, black colour.

CAP

Based technopolymer

STANDARD EXECUTIONS

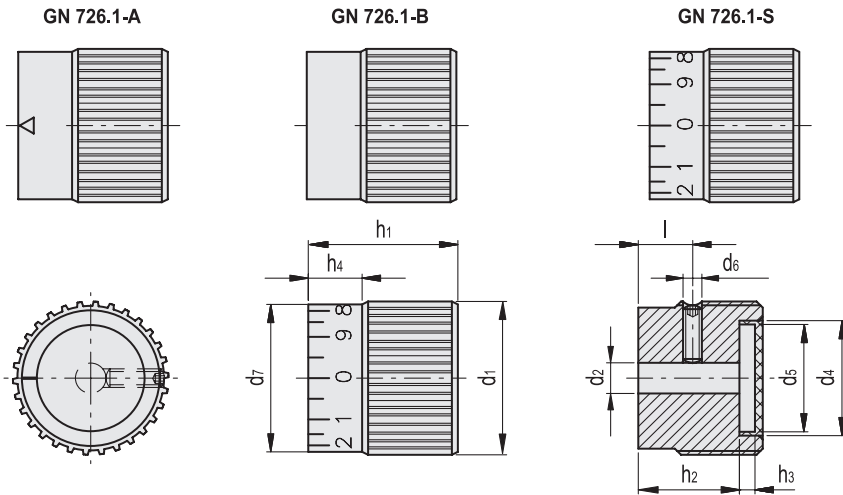
H8 reamed hole. Assembly by means of a supplied stainless steel transversal grub screw with hexagon socket.

- **GN 726.1-A:** knob with triangular index.
- **GN 726.1-B:** knob with plain surface.
- **GN 726.1-S:** knob with standard graduation, 20 marks, numbering from 0 to 9 increases as the knob is turned clockwise.

Laser-engraved precision graduations.

SPECIAL EXECUTIONS ON REQUEST

- Different graduations (see page 611).
- On the surface of the cap words, marks, graphic symbols, etc...can be tampprinted in colours.



GN 726.1-A

Code	Description	d1	d2 H8	d6	d4	d5	d7	l	h1	h2	h3	h4	⚖
GN.30391	GN 726.1-22-B5-A-1	22	5	M4	16	14	20	12.5	22	16	4.3	8	28
GN.30401	GN 726.1-27-B6-A-1	27	6	M4	20	18	25	14	26	20	4.3	9	32
GN.30411	GN 726.1-34-B6-A-1	34	6	M5	25	23	32	15	30	24	4.2	10	59
GN.30421	GN 726.1-34-B8-A-1	34	8	M5	25	23	32	15	30	24	4.2	10	58
GN.30431	GN 726.1-42-B8-A-1	42	8	M5	32	30	40	16	34	28	4	11	102
GN.30441	GN 726.1-42-B10-A-1	42	10	M5	32	30	40	16	34	28	4	11	103

GN 726.1-B

Code	Description	d1	d2 H8	d6	d4	d5	d7	l	h1	h2	h3	h4	⚖
GN.30393	GN 726.1-22-B5-B-1	22	5	M4	16	14	20	12.5	22	16	4.3	8	28
GN.30403	GN 726.1-27-B6-B-1	27	6	M4	20	18	25	14	26	20	4.3	9	32
GN.30413	GN 726.1-34-B6-B-1	34	6	M5	25	23	32	15	30	24	4.2	10	59
GN.30423	GN 726.1-34-B8-B-1	34	8	M5	25	23	32	15	30	24	4.2	10	58
GN.30433	GN 726.1-42-B8-B-1	42	8	M5	32	30	40	16	34	28	4	11	102
GN.30443	GN 726.1-42-B10-B-1	42	10	M5	32	30	40	16	34	28	4	11	103

GN 726.1-S

Code	Description	d1	d2 H8	d6	d4	d5	d7	l	h1	h2	h3	h4	⚖
GN.30396	GN 726.1-22-B5-S-1	22	5	M4	16	14	20	12.5	22	16	4.3	8	19
GN.30406	GN 726.1-27-B6-S-1	27	6	M4	20	18	25	14	26	20	4.3	9	32
GN.30416	GN 726.1-34-B6-S-1	34	6	M5	25	23	32	15	30	24	4.2	10	59
GN.30426	GN 726.1-34-B8-S-1	34	8	M5	25	23	32	15	30	24	4.2	10	58
GN.30436	GN 726.1-42-B8-S-1	42	8	M5	32	30	40	16	34	28	4	11	102
GN.30446	GN 726.1-42-B10-S-1	42	10	M5	32	30	40	16	34	28	4	11	103



Control elements