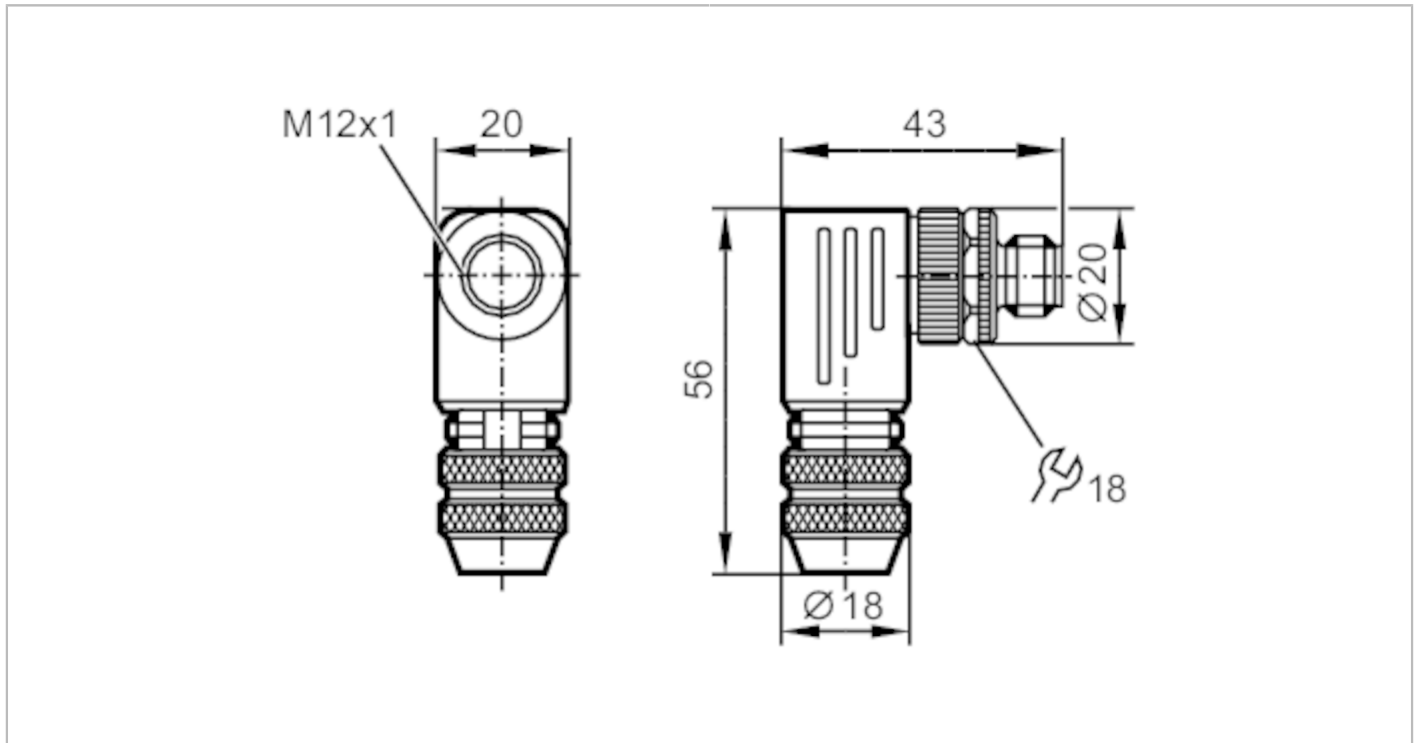


# E12353



## Wirable plug

SSTA040MSSFKSG



Application	
Special feature	Free from silicone; Gold-plated contacts
Free from silicone	yes
Electrical data	
Operating voltage [V]	< 250 AC/DC
Max. current load total [A]	4; (...40 °C)
Operating conditions	
Ambient temperature [°C]	-40...85
Protection	IP 67
Mechanical data	
Weight [g]	66.7
Dimensions [mm]	42 x 20 x 54
Materials	diecast zinc nickel-plated
Material nut	diecast zinc, nickel-plated
Remarks	
Pack quantity	1 pcs.
Electrical connection	
screw terminals: ...0.75 mm <sup>2</sup> ; Cable sheath: Ø 6...8 mm	
Electrical connection - plug	
Connector: 1 x M12, angled; Moulded body: diecast zinc, nickel-plated; Locking: diecast zinc, nickel-plated; Contacts: gold-plated; Shielded connection cable: shieldable	

# E12353

## Wirable plug

SSTA040MSSFKSG



### Connection

