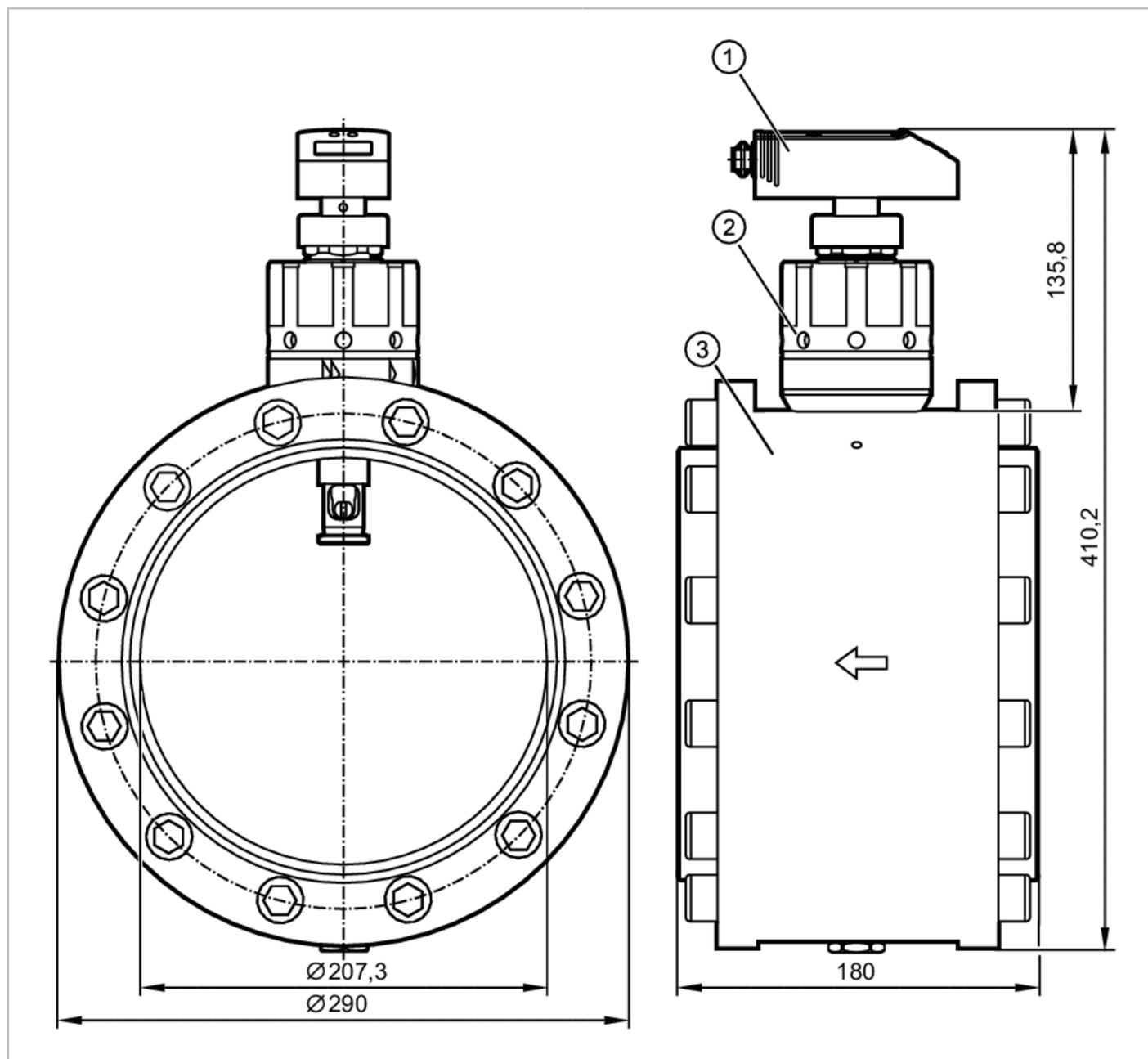


SDG207



Compressed air meter

SDG8"/METRIS PB DN200 SS LM



Product characteristics

Number of inputs and outputs	Number of digital outputs: 2; Number of analogue outputs: 1
Measuring range [m ³ /h]	58...17500
Process connection	flange DN200 according to: DIN 2448



Compressed air meter

SDG8"/METRIS PB DN200 SS LM


Application	
Application	totaliser function
Media	compressed air
Note on media	air quality ISO 8573-1
	class 141
	class 344
Medium temperature [°C]	0...60
Pressure rating [bar]	16
Electrical data	
Operating voltage [V]	19...30 DC
Current consumption [mA]	< 100
Protection class	III
Reverse polarity protection	yes
Power-on delay time [s]	0.5
Inputs / outputs	
Number of inputs and outputs	Number of digital outputs: 2; Number of analogue outputs: 1
Outputs	
Total number of outputs	2
Output signal	switching signal; analogue signal; pulse signal; (configurable)
Electrical design	PNP
Number of digital outputs	2
Output function	normally open / normally closed; (parameterisable)
Max. voltage drop switching output DC [V]	2
Permanent current rating of switching output DC [mA]	250; (per output)
Number of analogue outputs	1
Analogue current output [mA]	4...20; (scalable)
Max. load [Ω]	500
Pulse output	consumed quantity meter
Short-circuit protection	yes
Type of short-circuit protection	pulsed
Overload protection	yes
Measuring/setting range	
Measuring range [m³/h]	58...17500
Display range [m³/h]	0...21000
Volumetric flow quantity monitoring	
Pulse value	10 Nm³
Pulse length [s]	0,1
Accuracy / deviations	
Flow monitoring	
Accuracy (in the measuring range)	± (3 % MW + 0,3 % MEW) / ± (6 % MW + 0,6 % MEW); (class 141 / ; class 344)

SDG207



Compressed air meter

SDG8"/METRIS PB DN200 SS LM

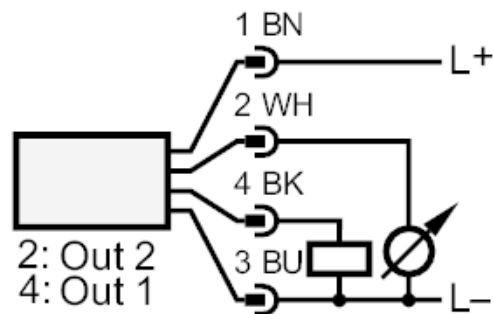
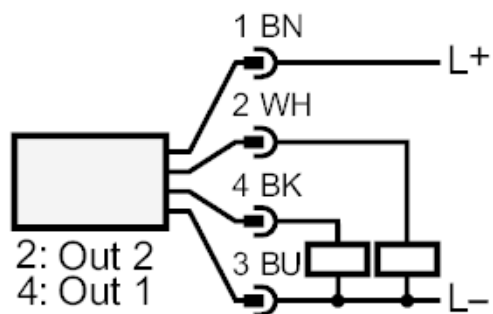
Response times		
Flow monitoring		
Response time [s]	0.1; (dAP = 0)	
Operating conditions		
Ambient temperature [°C]	0...60	
Storage temperature [°C]	-20...85	
Max. relative air humidity [%]	90	
Protection	IP 65	
Tests / approvals		
EMC	EN 61000-4-2 ESD	4 kV CD / 8 kV AD
	EN 61000-4-3 HF radiated	10 V/m
	EN 61000-4-4 Burst	2 kV
	EN 61000-4-6 HF conducted	10 V
Vibration resistance	DIN IEC 68-2-6	5 g (55...2000 Hz)
MTTF [years]	214	
Mechanical data		
Weight [g]	41441	
Materials	PBT-GF20; PC; PC; stainless steel (1.4301 / 304); FKM; pipe section: stainless steel (1.4301 / 304)	
Materials (wetted parts)	stainless steel (1.4401 / 316); stainless steel (1.4301 / 304); ceramics glass passivated; PEEK; polyester; FKM; aluminium anodised; stainless steel (1.4301 / 304)	
Process connection	flange DN200 according to: DIN 2448	
Remarks		
Remarks	MW = measured value	
	MEW = Final value of the measuring range	
	Measuring, display and setting ranges refer to the standard volume flow according to DIN ISO 2533.	
	For information about installation and operation please see the operating instructions.	
Pack quantity	1 pcs.	
Electrical connection		
Connector: 1 x M12		
		



Compressed air meter

SDG8"/METRIS PB DN200 SS LM

Connection



- OUT1: switching output
 Pulse output quantity meter
- OUT2: switching output
 input counter reset
 analogue output