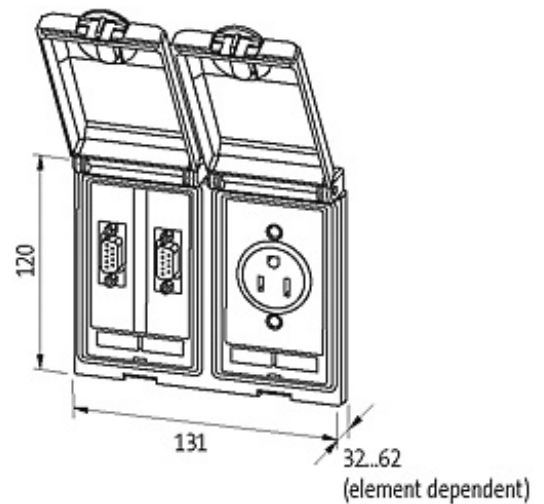


**MODLINK MSDD FRAME DBL METAL**

Nickeled

Frame: metal, matte nickel plated

Lid: metal, matte nickel plated

[Link to Product](#)**Illustration**

Product may differ from Image

**Approvals**



### Frame

Article number	4000-68123-0000000
suitable for mounting with wall thickness	1...5 mm
Protection	IP65
Housing	Zinc die-casting, with surface finishing
Dimensions H × W × D	120×130×35
Temperature range	-10...+60 °C (storage temperature -25...+60 °C)
Shielded	yes

### General data

Dimensions H × W × D	120×130×35 mm
----------------------	---------------

### Commercial data

country of origin	CZ
customs tariff number	85389099
minimum order quantity	1