

M12 FEMALE 0° 6POL, ,CUBE67-SAFETY

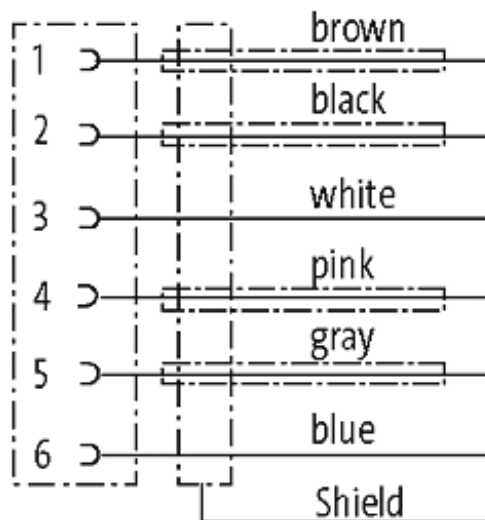
PUR 4x0,5 + 2x0,5 shielded YELLOW, 15m

M12

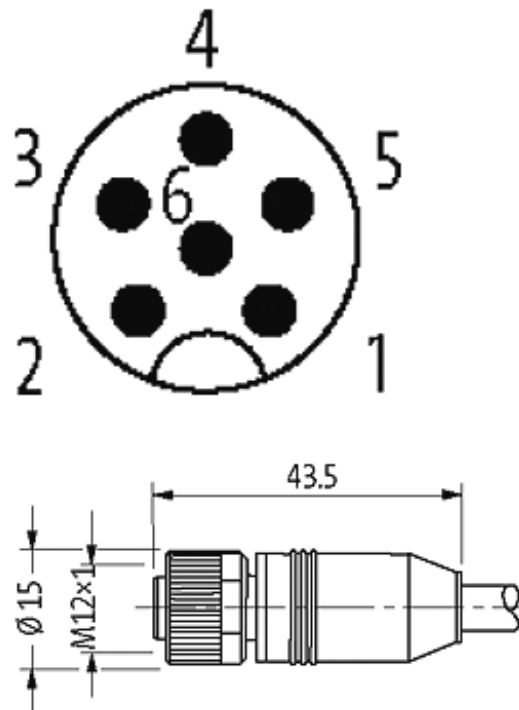
Female straight

Cube67, 6-pole

Further cable lengths on request. Plastic housings with good resistance against chemicals and oils. The resistance to aggressive media should be individually tested for your application. Further details on request.

[Link to Product](#)**Illustration**

Female



Product may differ from Image

Approvals



More Info

Cube67

Form

15101

Technical Data

Operating voltage	max. 60 V AC/DC
Operating current per contact	max. 4 A
Locking of ports	Screw thread M12 × 1 mm (recommended torque 0.6 Nm) self-securing
Protection	IP67 inserted and tightened (EN 60529)

Cables

Cable number	138
No./diameter of wires	4×0.5 + 2×0.5 mm ²
Wire isolation	PP (br, wh, bl, bk, gr, pk)

C-track properties	5 Mio.
Jacket Color	yellow
Shore hardness outer jacket	85 ± 5A
Material (jacket)	PUR
Outer diameter	approx. 8.0 mm
Bend radius (fixed)	5 × outer Ø
Bend radius (moving)	10 × outer Ø
Temperature range (fixed)	-40...+80 °C
Temperature range (mobile)	-5...+80 °C
Shielded	yes

Commercial data

country of origin	DE
customs tariff number	85444290
minimum order quantity	1