

FRONT MOUNTED ROTARY OPERATOR
EMERGENCY-STOP IEC IP30/40 ILLUMINATION KIT
24 V DC ACCESSORY FOR: 3VA2 400/630



Figure similar

Model		
product brand name		SETRON
Design of handle		red-yellow
Protection class IP		IP30

Product details		
Product component / axis extension		No
Product property / lockable		Yes

Accessories		
accessories		Direct rotary operating mechanism
Height	mm	93.5
Depth	mm	106

General Product Approval	EMC	Declaration of Conformity	other
	other		other



[other](#)



EG-Konf.

[other](#)

Further information

Information- and Downloadcenter (Catalogs, Brochures,...)

<http://www.siemens.com/lowvoltage/catalogs>

Industry Mall (Online ordering system)

<https://eb.automation.siemens.com/mall/en/WW/Catalog/Product/3VA94670EK17>

Service&Support (Manuals, Certificates, Characteristics, FAQs,...)

<http://support.automation.siemens.com/WW/view/en/3VA94670EK17/all>

Image database (product images, 2D dimension drawings, 3D models, device circuit diagrams, ...)

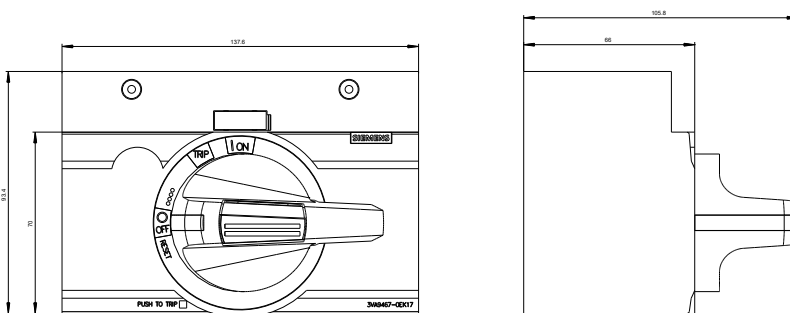
http://www.automation.siemens.com/bilddb/cax_en.aspx?mlfb=3VA94670EK17

CAx-Online-Generator

<http://www.siemens.com/cax>

Tender specifications

<http://ausschreibungstexte.siemens.com/typv>



last modified:

16.03.2015