



DIAZED-BASE DIII 63A AC690V DC500V CLAMP TYPE/SADDLE TERMINAL

Figure similar

Model		
product brand name		SENTRON
Design of the fuse base		gauge inset
General technical data		
Number of poles		1
Size of fuse system / acc. to DIN EN 60269-1		DIII
Electricity		
Current / with AC / Rated value	A	63
Product details		
Product component / Cover		Yes
Mechanical Design		
Height	mm	78
Depth	mm	47
Mounting type		screw fixing
Material / of the enclosure		porcelain

General Product Approval	Declaration of Conformity	Test Certificates	Shipping Approval
--------------------------	---------------------------	-------------------	-------------------



[Type Test Certificates/Test Report](#)



GL

Further information

**Information- and Downloadcenter (Catalogs, Brochures,...)**

<http://www.siemens.com/lowvoltage/catalogs>

**Industry Mall (Online ordering system)**

<https://eb.automation.siemens.com/mall/en/WW/Catalog/Product/5SF1205>

**Service&Support (Manuals, Certificates, Characteristics, FAQs,...)**

<http://support.automation.siemens.com/WW/view/en/5SF1205/all>

**Image database (product images, 2D dimension drawings, 3D models, device circuit diagrams, ...)**

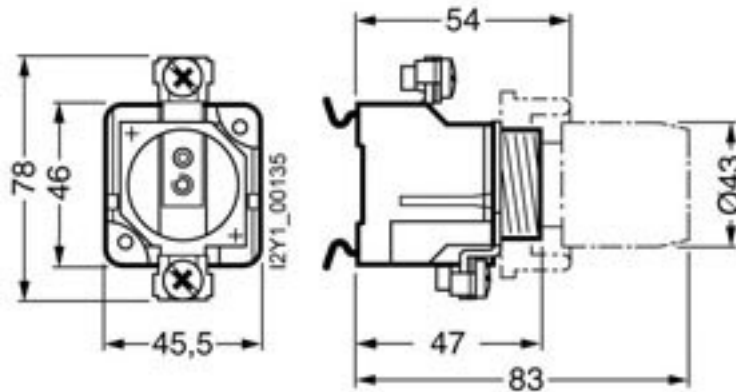
[http://www.automation.siemens.com/bilddb/cax\\_en.aspx?mfb=5SF1205](http://www.automation.siemens.com/bilddb/cax_en.aspx?mfb=5SF1205)

**CAX-Online-Generator**

<http://www.siemens.com/cax>

**Tender specifications**

<http://ausschreibungstexte.siemens.com/tiplv>





**last modified:**

11.03.2015