

BUSBAR SYSTEM, ACCESSORIES CENTER-CENTER DISTANCE 40.60 MM COVER PROFILE FOR BUSBAR LENGTH: 1000 MM RAIL THICKNESS: 5 MM



Figure similar

## Model

product brand name SENTRON

General Product Approval	Declaration of Conformity	Test Certificates	Shipping Approval
--------------------------	---------------------------	-------------------	-------------------



CSA



GOST



EG-Konf.

[Special Test Certificate](#)



GL

Shipping Approval	other
-------------------	-------



PRS



RINA

[other](#)

## Further information

Information- and Downloadcenter (Catalogs, Brochures,...)

<http://www.siemens.com/lowvoltage/catalogs>

Industry Mall (Online ordering system)

<https://eb.automation.siemens.com/mall/en/WW/Catalog/Product/8US19222CA00>

Service&Support (Manuals, Certificates, Characteristics, FAQs,...)

<http://support.automation.siemens.com/WW/view/en/8US19222CA00/all>

Image database (product images, 2D dimension drawings, 3D models, device circuit diagrams, ...)

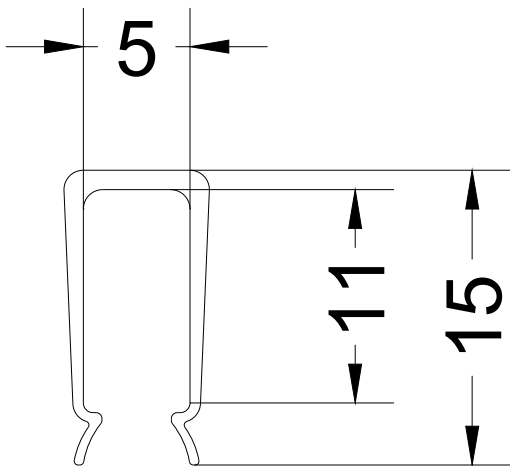
[http://www.automation.siemens.com/bilddb/cax\\_en.aspx?mlfb=8US19222CA00](http://www.automation.siemens.com/bilddb/cax_en.aspx?mlfb=8US19222CA00)

CAX-Online-Generator

<http://www.siemens.com/cax>

**Tender specifications**

<http://ausschreibungstexte.siemens.com/tiplv>



# L nge 1 Meter

last modified:

11.03.2015