

# Digital Camera

## BB6K003

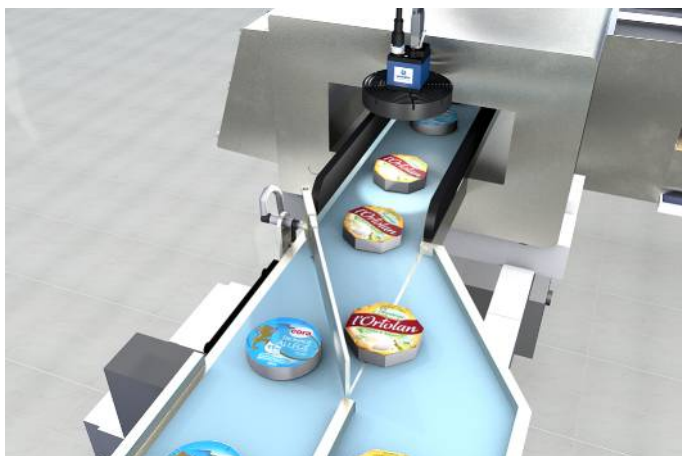
Part Number



- **Compact, rugged aluminum housing in 29 x 49.1 x 29 mm format**
- **Image chip with Global Shutter for dynamic applications**
- **Various lenses can be mounted thanks to standard thread**

Digital cameras make it possible to record images in vision applications. The images are read out via a 1-gigabit Ethernet interface. The camera can be connected via a PoE port so that only one cable is required. The small and rugged aluminum housing, as well as the C mount threaded connection, can be easily and flexibly integrated. The high-performance Sony Pregius image chip ensures high frame rates, optimum image quality without noise under difficult lighting conditions and extremely sharp images even in dynamic applications thanks to the Global Shutter.

Digital cameras make it possible to record images in vision applications. The images are read out via a 1-gigabit Ethernet interface. The camera can be connected via a PoE port so that only one cable is required. The



### Technical Data

Optical Data	
Resolution	2448 × 2048 Pixel
Resolution	5,01 MPixel
Aspect Ratio	5:4
Pixel Size	3,45 × 3,45 μm
Sensor Type	CMOS
Sensor Designation	Sony IMX264LLR-C
Image Chip	monochrome
Image chip size	2/3"
Frame Rate	< 22 fps

Electrical Data	
Supply Voltage	12...24 V DC
Current Consumption (U <sub>b</sub> = 24 V)	< 130 mA
Temperature Range	0...55 °C
Storage temperature	-20...60 °C
Atmospheric humidity	20...80 %
Number of GPIOs (general purpose I/Os)	2
{GPIO_Spannungsbereich}	0...3,3 V DC
{GPIO_Maximaler_Ausgangsstrom}	8 mA
{GPIO_Schutzbeschaltung}	no
Number of Flash Outputs	1
Flash Output	Optoisolator
Number of trigger inputs	1
Trigger Input	Optoisolator
Short Circuit Protection	no
Overload Protection	no
Reverse Polarity Protection	no
Supported PoE Classes	2
Supported PoE Standard	IEEE802.3af, IEEE802.at
Protection Class	III

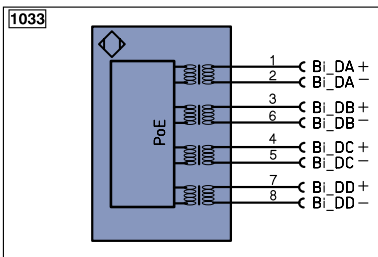
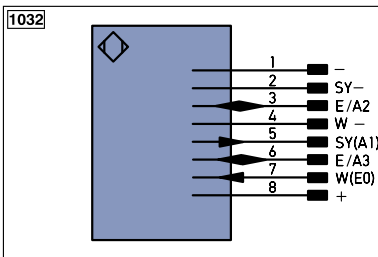
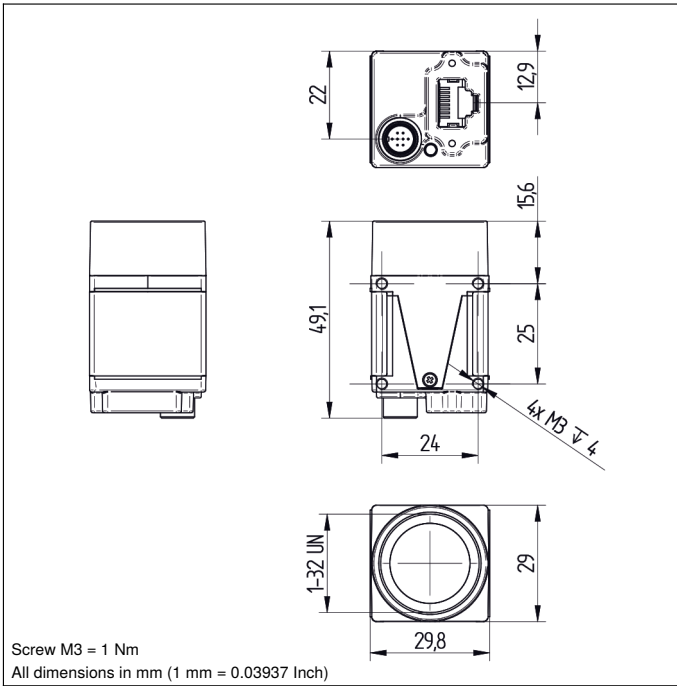
Mechanical Data	
Lens thread	C-Mount
Housing Material	Aluminum
Weight	51 g
Degree of Protection	IP30
Connection	HR25, 8-pin
Type of Connection Ethernet	RJ45, 8-pin

Function	
Global Shutter	yes
Subsampling	yes

PoE	●
Connection Diagram No.	1032   1033
Suitable Connection Equipment No.	85   47
Suitable Mounting Technology No.	580

### Complementary Products

Control Unit BB1C
Illumination Technology
Lens
Software
Switch EHSS001



Legend		Legend		Legend	
+	Supply Voltage +	PT	Platinum measuring resistor	EN <sup>A</sup> ES422	Encoder A/Ā (TTL)
-	Supply Voltage 0 V	nc	not connected	EN <sup>B</sup> ES422	Encoder B/B̄ (TTL)
~	Supply Voltage (AC Voltage)	U	Test Input	EN <sup>A</sup>	Encoder A
A	Switching Output (NO)	Ū	Test Input inverted	EN <sup>B</sup>	Encoder B
Ā	Switching Output (NC)	W	Trigger Input	A <sub>MIN</sub>	Digital output MIN
V	Contamination/Error Output (NO)	W-	Ground for the Trigger Input	A <sub>MAX</sub>	Digital output MAX
Ū	Contamination/Error Output (NC)	O	Analog Output	A <sub>OK</sub>	Digital output OK
E	Input (analog or digital)	O-	Ground for the Analog Output	SY <sub>in</sub>	Synchronization In
T	Teach Input	BZ	Block Discharge	SY <sub>OUT</sub>	Synchronization OUT
Z	Time Delay (activation)	A <sub>W</sub>	Valve Output	OL <sub>T</sub>	Brightness output
S	Shielding	a	Valve Control Output +	M	Maintenance reserved
RxD	Interface Receive Path	b	Valve Control Output 0 V	rsv	reserved
TxD	Interface Send Path	SY	Synchronization	Wire Colors according to IEC 60757	
RDY	Ready	SY-	Ground for the Synchronization	BK	Black
GND	Ground	E+	Receiver-Line	BN	Brown
CL	Clock	S+	Emitter-Line	RD	Red
E/A	Output/Input programmable	±	Grounding	OG	Orange
	IO-Link	S <sub>n</sub> R	Switching Distance Reduction	YE	Yellow
PoE	Power over Ethernet	Rx+/-	Ethernet Receive Path	GN	Green
IN	Safety Input	Tx+/-	Ethernet Send Path	BU	Blue
OSSD	Safety Output	Bus	Interfaces-Bus A(+)/B(-)	VT	Violet
Signal	Signal Output	L <sub>a</sub>	Emitted Light disengageable	GY	Grey
Bi_D+/-	Ethernet Gigabit bidirect. data line (A-D)	Mag	Magnet activation	WH	White
EN <sup>0</sup> ES422	Encoder 0-pulse 0-0̄ (TTL)	RES	Input confirmation	PK	Pink
		EDM	Contactur Monitoring	GNYE	Green/Yellow

