



DATA SHEET	53102001
SKINDICHT® O-Ring Perbunan® metric	valid from : 15.1.2016

The SKINDICHT® O-Ring sealing rings are used for reliable sealing against dust and water on the connecting thread of a gland or similar components.



Technical features:

Material	NBR (Perbunan®), halogen-free Ozone- and UV-resistant
Sizes	M12 up to M63
Colour	Black
Temperature range	-20 °C up to +100 °C

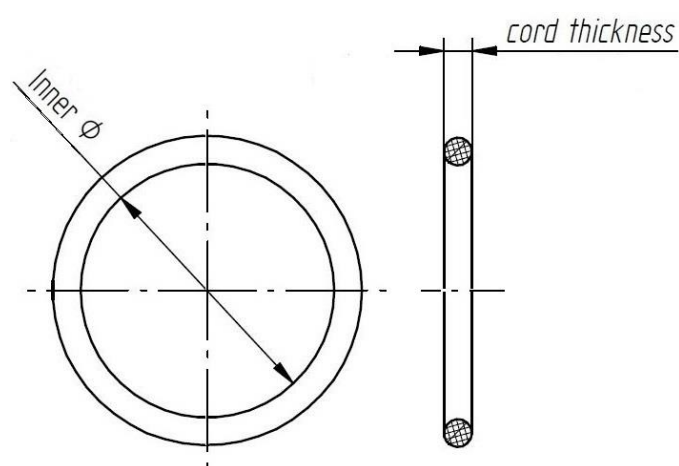
Norm references:



Perbunan® is a registered trademark of BAYER AG.

For more information please see our current catalogue.

Article designation	Inner Ø x cord thickness [mm]	Article No.
O M12 x 2	9 x 2	53102000
O M12 x 1,5	9 x 1,5	53102001
O M16 x 2	13 x 2	53102010
O M20 x 2	17 x 2	53102020
O M20 x 1,5	17 x 1,5	53102021
O M25 x 2	22 x 2	53102030
O M32 x 2	28 x 2	53102040
O M40 x 2	36 x 2	53102050
O M50 x 2	46 x 2	53102060
O M63 x 2	57 x 2	53102070



elaborated by: PDP: T. Dvoulety	Document: DB53102001_2_EN	page 1 of 1
------------------------------------	---------------------------	-------------