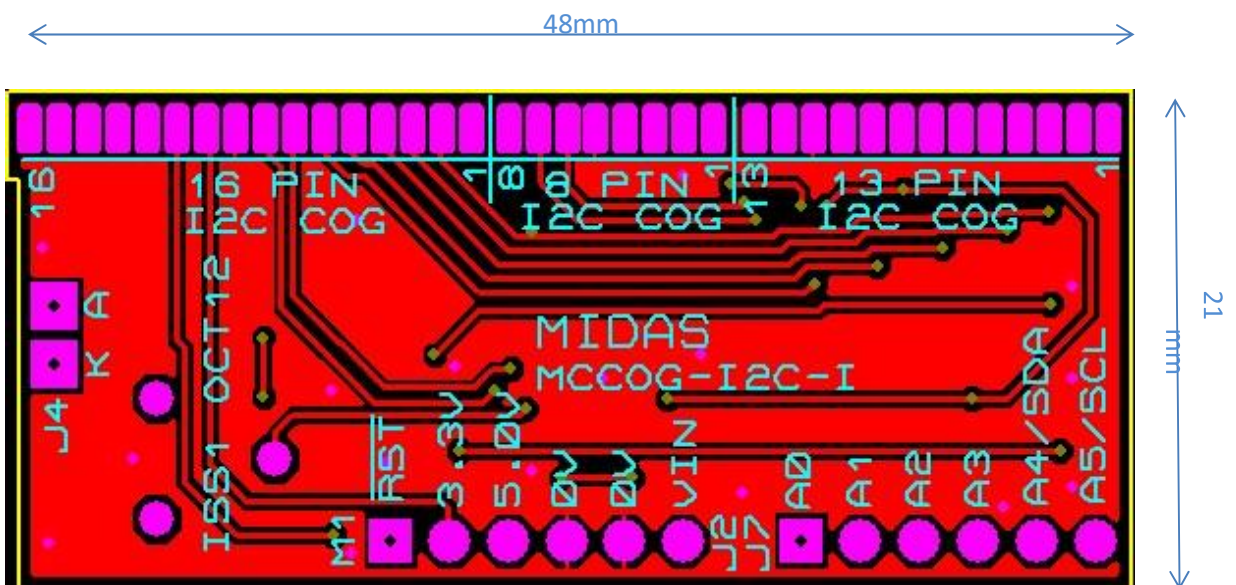
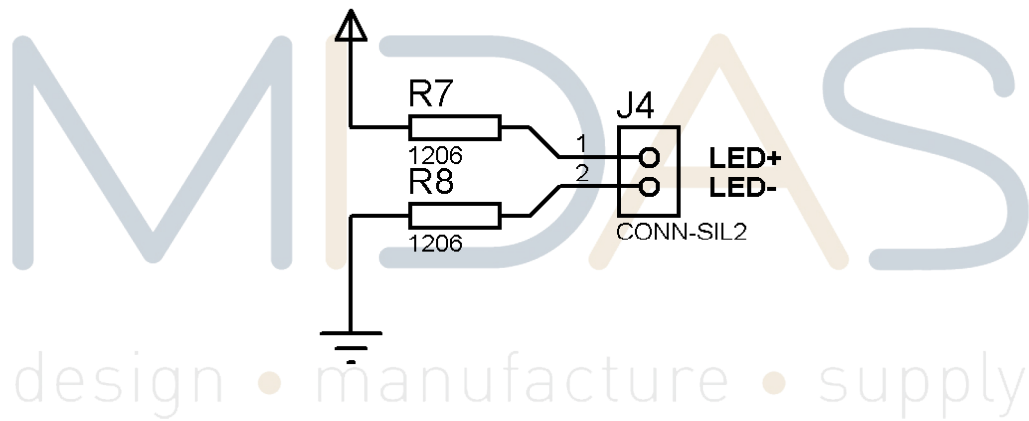
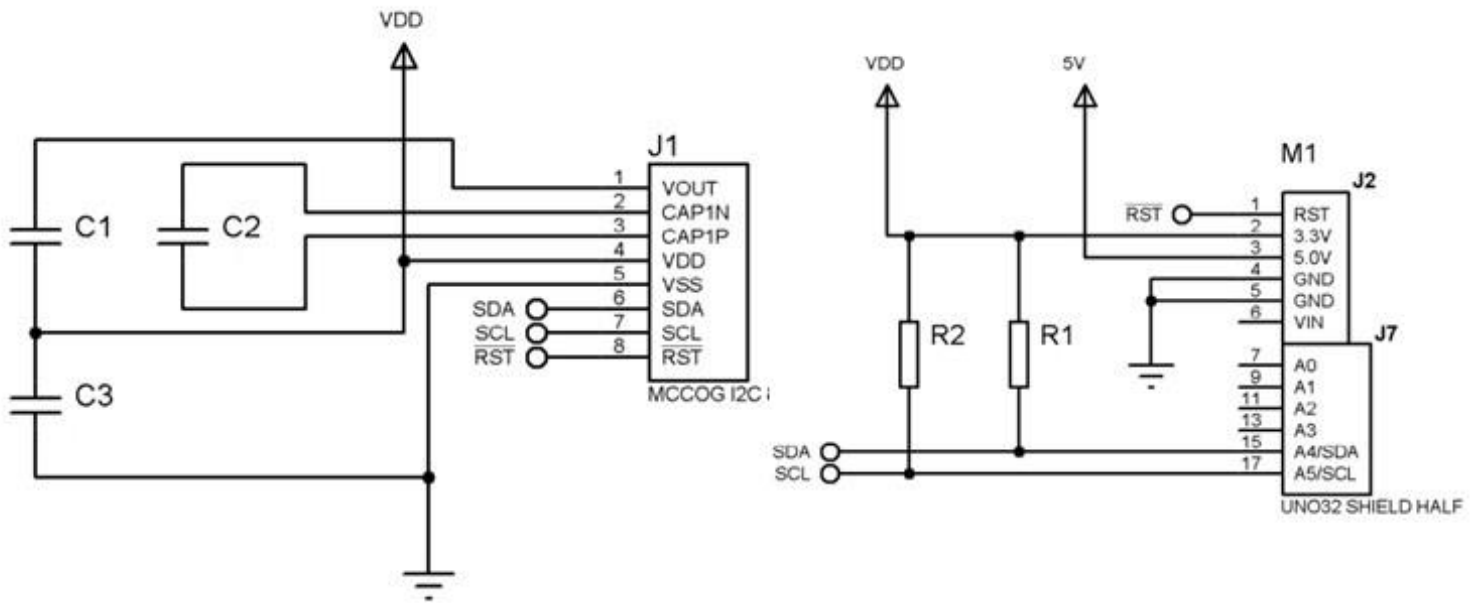


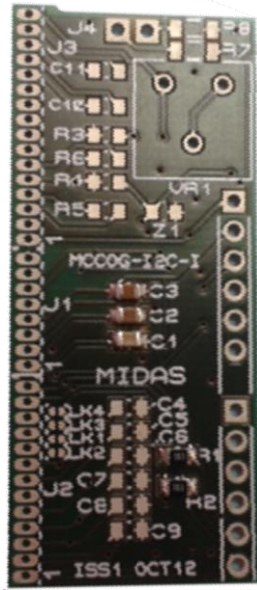
| I²C COG Interface Board | |
|---|--------------------|
| Part Number: | MCCOG-I2C-I-8 |
| Version: | 1 |
| Date: | 23/03/2016 |
| Notes | |
| 8-Way compatible with MCCOG21605B, MCCOG21605C, MCCOG21605D, MCCOG22005A. | |
| Revision | |
| Date: | |
| 17/03/2015 | First Draft |
| 23/03/2016 | Mechanical Drawing |
| | |
| | |





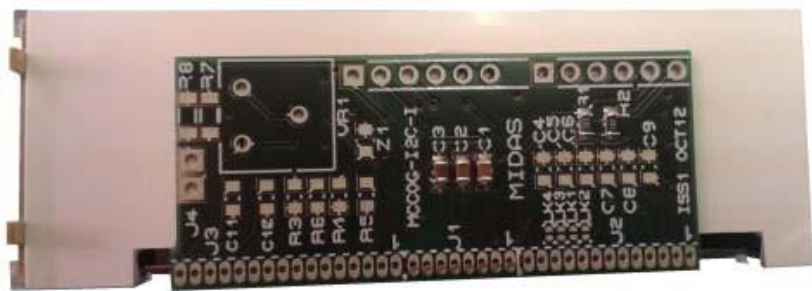
| Component | Value | Reference |
|-----------|-------|-----------|
| Capacitor | 1uF | C1 |
| Capacitor | 1uF | C2 |
| Capacitor | 1uF | C3 |
| Resistor | 4.7kΩ | R1 |
| Resistor | 4.7kΩ | R2 |



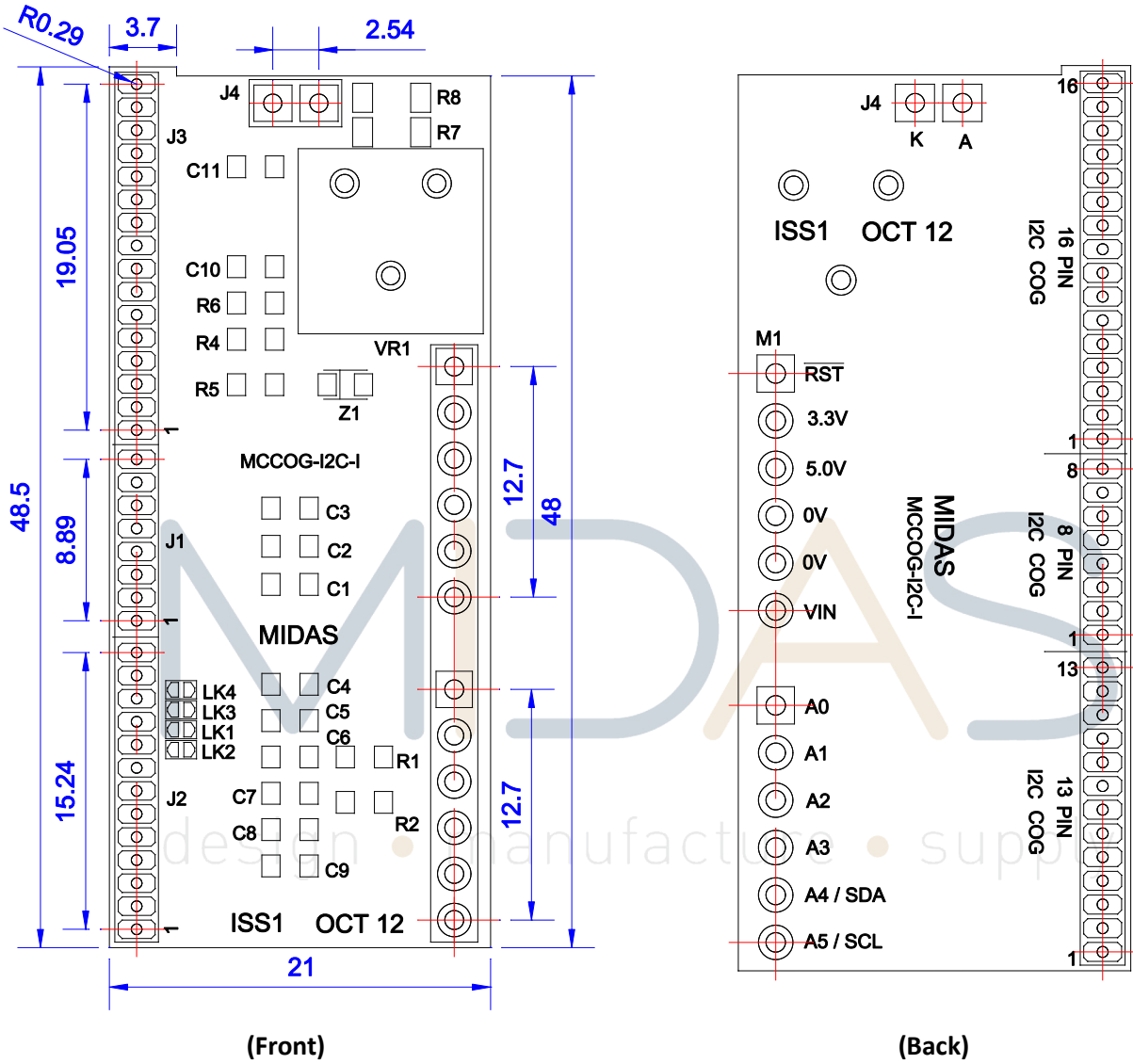


MIDAS

design • manufacture • supply



Mechanical Drawing:



***Note all measurements are in mm and all holes are 0.5mm in radius unless stated otherwise.**

