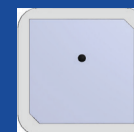


# 2.4 GHz RHCP Polarized WiFi/Bluetooth Patch Antenna



APAGM2525-S2450



**25.0 x 25.0 x 4.0mm**  
**RoHS/RoHS II Compliant**  
 MSL - N/A

## FEATURES

- Right hand circular polrization
- Low VSWR
- High gain of 4.5 dBi
- Not sensitive to orientation

## APPLICATIONS

- WiFi/Bluetooth/BLE/Zigbee/ISM
- Mobile applications
- Drones, robotics
- IoT applications
- VR/AR applications
- Industrial controls

## Electrical Specifications

Parameters	Min.	Typ.	Max.	Units	Note
Frequency Range		2400-2500		MHz	
Center Frequency		2450±5		MHz	With 70x70 GND plane
Bandwidth	60			MHz	Return loss ≤-10dB
VSWR			1.5		@ CF
Polarization	RHCP				Right Hand Circular Polarization
Impedance		50		Ω	
Gain		4.5		dBi	Zenith
Axial Ratio			5	dB	
Frequency Temperature Coefficient		0±10		ppm/°C	

## Structure and Material

Description	Material
Antenna Substrate	Dielectric Ceramics
Pin	Copper and Tin Plated
Electrode	Ag Plated
Ground Base	Ag Plated
Adhesive Type	NITTO 5000NS



5101 Hidden Creek Ln Spicewood TX 78669  
 Phone: 512-371-6159 | Fax: 512-351-8858  
 For terms and conditions of sales, please visit:  
[www.abracon.com](http://www.abracon.com)

REVISED: 08.15.2018

ABRACON IS  
 ISO9001-2015  
 CERTIFIED

# 2.4 GHz RHCP Polarized WiFi/Bluetooth Patch Antenna

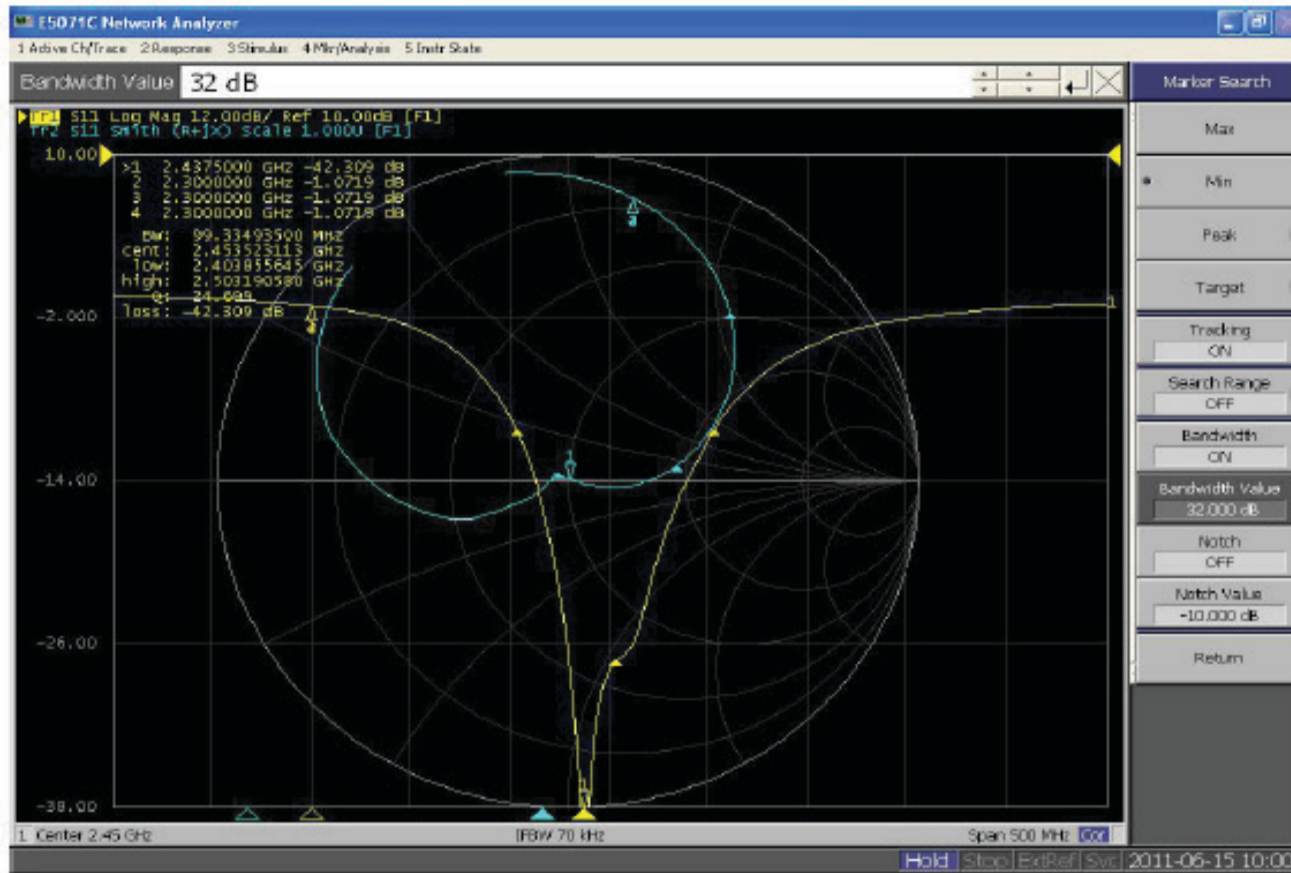


APAGM2525-S2450



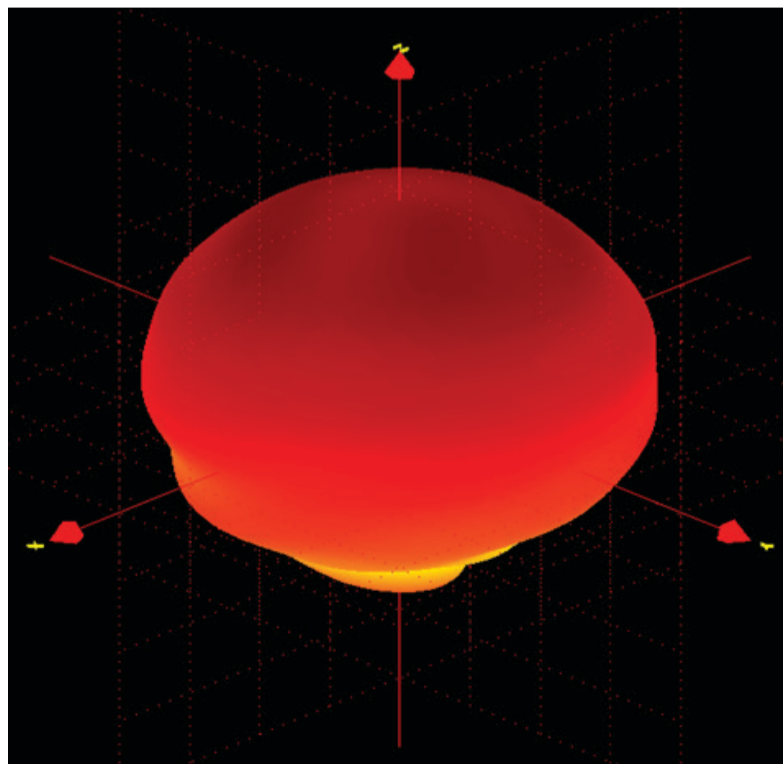
25.0 x 25.0 x 4.0mm  
RoHS/RoHS II Compliant  
MSL - N/A

## Return Loss Characteristics and Smith Chart



## Radiation Pattern

Antenna 3D Pattern @ 2450 MHz



5101 Hidden Creek Ln Spicewood TX 78669  
Phone: 512-371-6159 | Fax: 512-351-8858  
For terms and conditions of sales, please visit:  
[www.abracon.com](http://www.abracon.com)

REVISED: 08.15.2018

ABRACON IS  
ISO9001-2015  
CERTIFIED

# 2.4 GHz RHCP Polarized WiFi/Bluetooth Patch Antenna

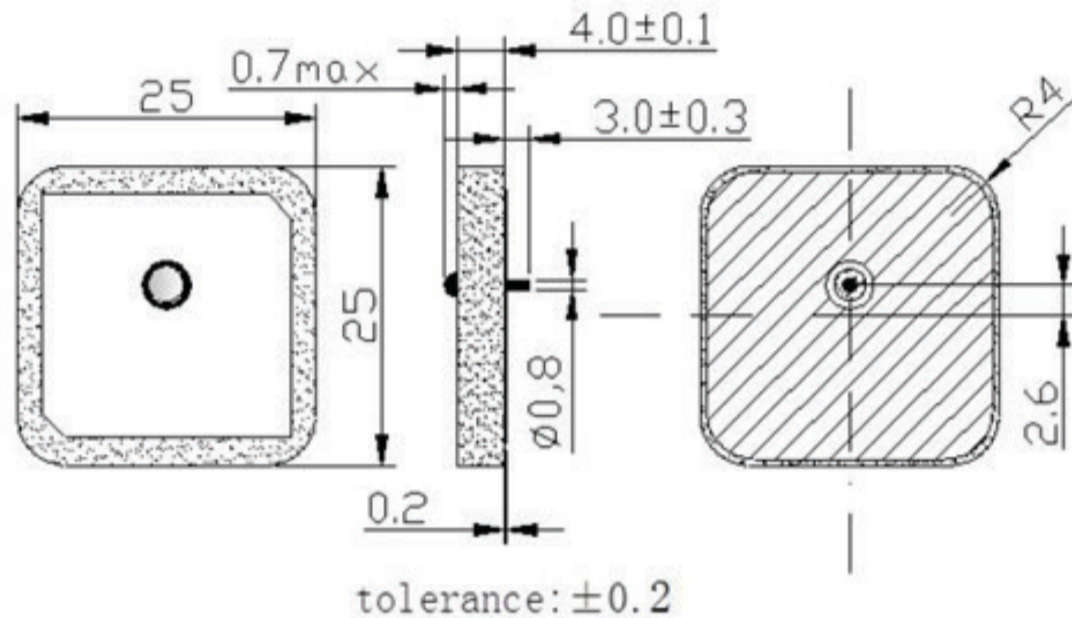


APAGM2525-S2450



**25.0 x 25.0 x 4.0mm**  
**RoHS/RoHS II Compliant**  
 MSL - N/A

## Dimensions

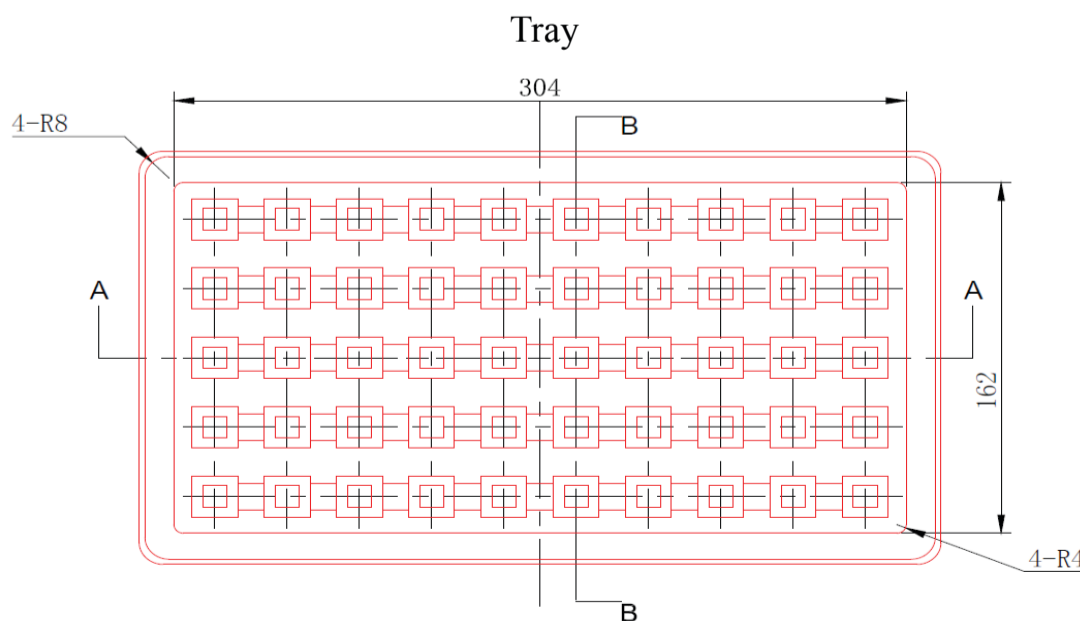


Unit: mm

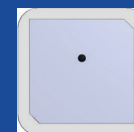
## Packaging

Each tray contains 50 pcs of antenna, 5 trays in a vacuum bag, and 4 vacuum bags in a carton. Each carton contains 1,000 pcs of antenna and the size of the carton is 345 x 210 x 260 mm.

Package Type	Quantity
Tray	50 pcs/tray
Vacuum Bag	5 trays/vacuum bag
Carton	4 vacuum bag/carton
Carton	1000 pcs/box



# 2.4 GHz RHCP Polarized WiFi/Bluetooth Patch Antenna



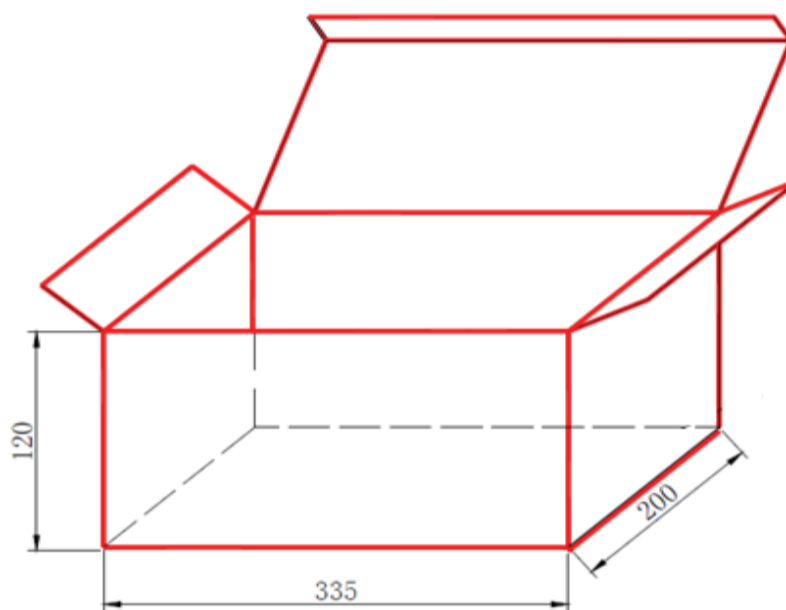
APAGM2525-S2450



**25.0 x 25.0 x 4.0mm**  
**RoHS/RoHS II Compliant**  
MSL - N/A

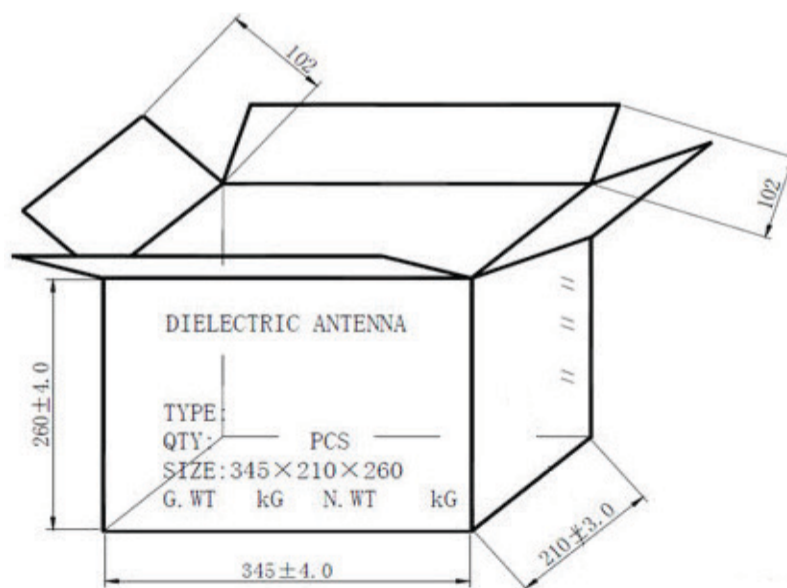
## Packaging

Inner Box



Unit: mm

Outer Box



Unit: mm