

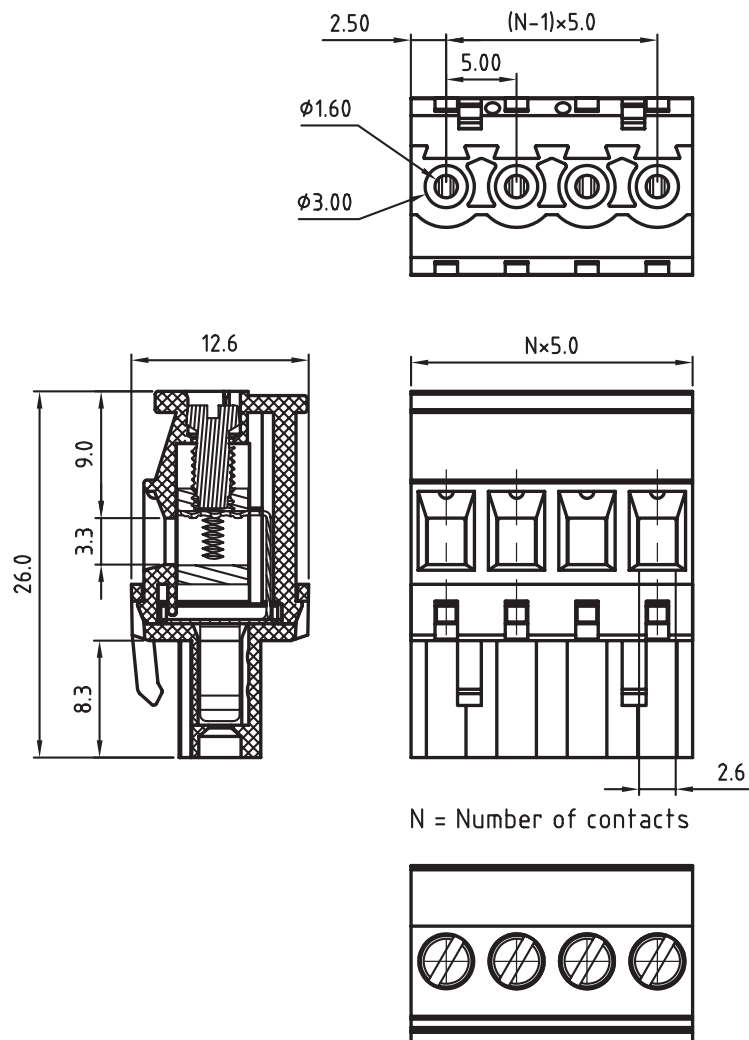
1

2

3

4

5



## TECHNICAL CHARACTERISTICS

MATERIAL  
 INSULATOR: PA 66  
 FLAMABILITY RATING: UL94-V0  
 COLOR: GREEN  
 METAL HOUSING: BRASS (CuZn)  
 TERMINAL SCREW: STEEL ZINC PLATING  
 TERMINAL SCREW SLOT TYPE: "-"  
 WIRE GUARD: PhBz TIN PLATED

ENVIRONMENTAL  
 OPERATING TEMPERATURE: -40 UP TO 105°C  
 COMPLIANCE: LEAD FREE AND ROHS

|                       |             |        |
|-----------------------|-------------|--------|
| ELECTRICAL            | cULus       | VDE    |
| CURRENT RATING:       | 15A         | 17A    |
| WORKING VOLTAGE:      | 300VAC      | 300VAC |
| WITHSTANDING VOLTAGE: | 1.6KV       | 2.5KV  |
| CONTACT RESISTANCE:   | 20 mOhm max |        |

## STANDARD

CERTIFIED E315414  
 CERTIFIED 40023402

## MECHANICAL

|                |  |
|----------------|--|
| SOLID WIRE:    | 24-12 AWG / 0.205-3.31 MM <sup>2</sup> |
| STRANDED WIRE: | 24-12 AWG / 0.205-3.31 MM <sup>2</sup> |
| TORQUE:        | 3.5 Lb-In / 0.40 Nm                    |

WIRE STRIPE LENGTH: 6-7 MM  
 SCREW: M3.0  
 PITCH: 5.00 MM

PACKAGING  
 BOX

RoHS Compliant

PROJECTION:



GENERAL TOLERANCE

.X =  $\pm 0.2$ .XX =  $\pm 0.15$ 

WÜRTH ELEKTRONIK

APPROVAL: RJ

UNIT: MM

SCALE:

SHEET: 1/2

DRAW: MARVIN

DESCRIPTION: SERIE 3517 - 5.00MM HORIZONTAL CABLE ENTRY PLUG WITH HOOK ON WIRE SIDE - WR-TBL

WERI PART NO: 691 351 700 0xx

SIZE

**A4**

|     |           |          |    |
|-----|-----------|----------|----|
| G   |           |          |    |
| F   |           |          |    |
| E   |           |          |    |
| D   |           |          |    |
| C   |           |          |    |
| B   | 13-OCT-09 | STANDARD | JP |
| A   | 04-NOV-08 | PDF      | JP |
| REV | DATE      | FILE     | BY |

1

2

3

4

5

## Cautions and Warnings:

This electronic component is designed and developed with the intention for use in general electronics equipments.

Before incorporating the components into any equipments in the field such as aerospace, aviation, nuclear control, submarine, transportation, (automotive control, train control, ship control), transportation signal, disaster prevention, medical, public information network etc. where higher safety and reliability are especially required or if there is possibility of direct damage or injury to human body, Würth Elektronik must be asked for a written approval.

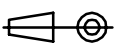

In addition, even electronic component in general electronic equipments, when used in electrical circuits that require high safety, reliability functions or performance, the sufficient reliability evaluation-check for the safety must be performed before by the user before usage.

A

B

C

RoHS Compliant

|     |           |      |    |  |   |   |                   |
|-----|-----------|------|----|--|---|---|-------------------|
| G   |           |      |    | PROJECTION:<br> | GENERAL TOLERANCE<br>.X = +/- 0.2<br>.XX = +/- 0.15 |  |                   |
| F   |           |      |    |  |   |   |                   |
| E   |           |      |    |  |   |   |                   |
| D   |           |      |    |  |   |   |                   |
| C   |           |      |    | APPROVAL: JC   | UNIT: MM  | DESCRIPTION: DISCLAIMER   | SIZE<br><b>A4</b> |
| B   |           |      |    |  | SCALE:  |   |                   |
| A   | 10-SEP-14 | PDF  | QL |  | SHEET: 2/2  | WERI PART NO: DISCLAIMER  |                   |
| REV | DATE      | FILE | BY |  | DRAW: QL  |   |                   |

D