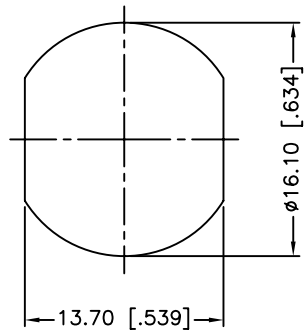
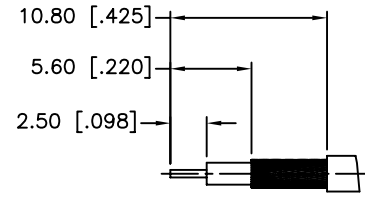


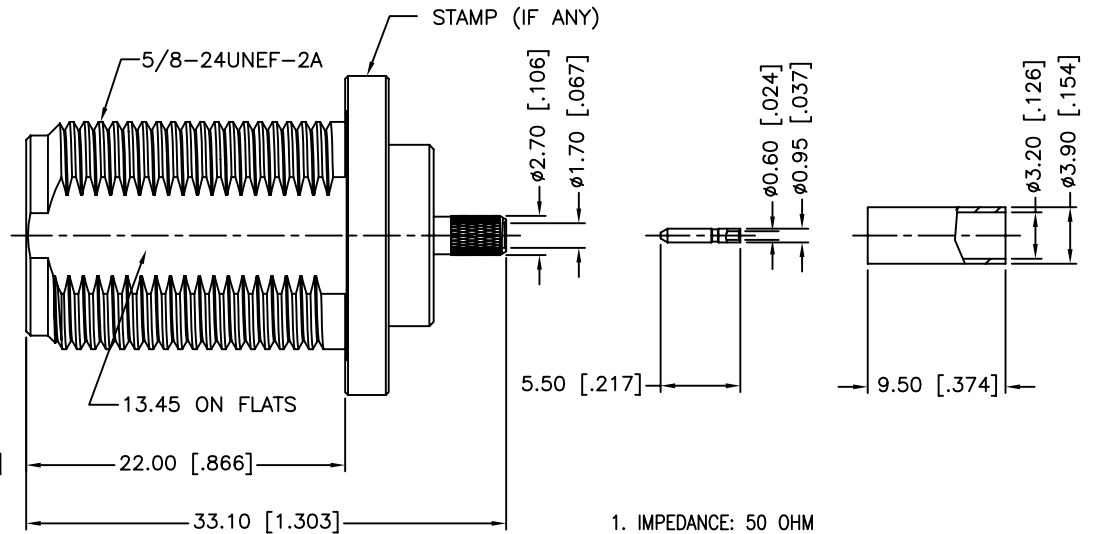
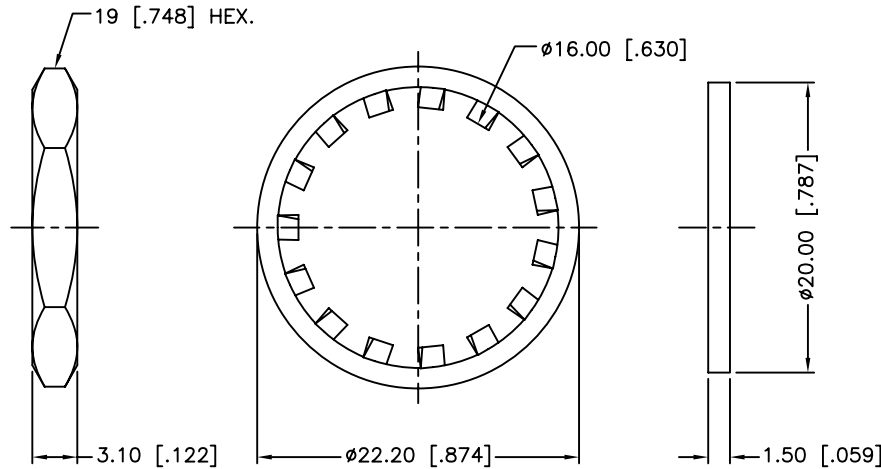
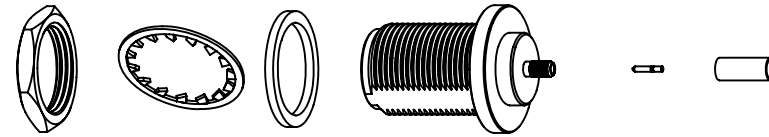
REV.	DATE	ECR NO.	DESCRIPTION
A	04/31/03	XXXXXX	UPDATE DRAWING FORMAT
B	11/16/10	2367	REVISE THE LOCK WASHER; UPDATED DRAWING FORMAT



RECOMMENDED MOUNTING HOLE



RECOMMENDED CABLE STRIPPING DIM'S



1. IMPEDANCE: 50 OHM
2. FREQUENCY RANGE: DC-11 GHz
3. DIELECTRIC WITHSTANDING VOLTAGE: 2500 VRMS MIN.
4. DURABILITY: 500 CYCLES MIN.
5. TEMPERATURE RANGE: -65°C TO +165°C
6. CRIMPED FERRULE
HEX. CRIMP SIZE .128"
7. CONTACT PIN CAN BE SOLDERED
OR USE 4-WAY INDENT TOOL #47001
8. MAX. PANEL THICKNESS=6.5mm

QTY	DESCRIPTION	MATERIAL	FINISH
1	FERRULE	BRASS	NEXCOTE
1	CONTACT PIN	BRASS	GOLD
1	HEX NUT	BRASS	NEXCOTE
1	LOCK WASHER	BRASS	NEXCOTE
1	GASKET	SILICON RUBBER	RED
1	BARREL	BRASS	NEXCOTE
1	CONTACT PIN	PHOSPHOR BRONZE	GOLD
1	INSULATOR	PTFE	NATURAL
1	BODY	BRASS	NEXCOTE

UNLESS OTHERWISE SPECIFIED DIMENSIONS ARE IN MILLIMETERS. DIMENSIONS IN [] ARE IN INCHES AND FOR CUSTOMER REFERENCE ONLY.

UNLESS OTHERWISE SPECIFIED TOLERANCES FOR MILLIMETERS ARE:
0.5 - 8mm ± 0.20mm
8 - 30mm ± 0.40mm
30 - 120mm ± 0.50mm

UNLESS OTHERWISE SPECIFIED TOLERANCES FOR INCHES ARE:
.020 - .315 = ± 0.007"
.315 - 1.180 = ± 0.015"
1.180 - 4.724 = ± 0.020"

DO NOT SCALE DRAWING

APPROVALS	DATE
DRAWN M.ZHANG	08/28/12
CHECKED	
ISSUED	
SHEET 1 OF 1	
CAD FILE C:/CONNEX/172129.DWG	

PART DESCRIPTION			
Amphenol Connex			
N BULKHEAD CRIMP JACK (FOR RG-174/U,188A/U,316/U CABLE)			
PART NO. 172129			
DWG. NO. 172129.DWG	REV. B	SIZE A	SCALE NA