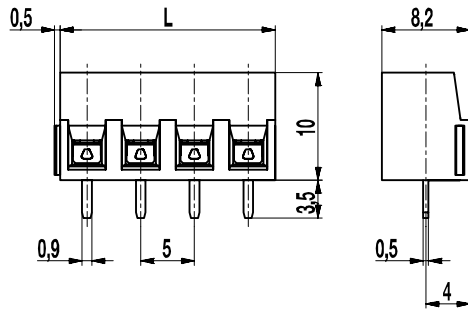


140-A-111

PCB connector
Screw connection, interlocking



The PCB connector 140-A-111 with lift system is designed as one-tier basic version with a pitch of 5 mm and available with 2 to 24 poles.

Lateral latching elements on the housing allow to latch the PCB connector to longer terminal rows without pole loss. The wire entrance is parallel to the PCB. The screws are captive.

Part Numbers

No. of poles	140-A-111	Length	PU
2	10.801.402	10,00	250
3	10.801.403	15,00	250
4	10.801.404	20,00	200
5	10.801.405	25,00	100
6	10.801.406	30,00	100
7	10.801.407	35,00	100
8	10.801.408	40,00	100
9	10.801.409	45,00	100
10	10.801.410	50,00	100
11	10.801.411	55,00	100
12	10.801.412	60,00	100
13	10.801.413	65,00	100
14	10.801.414	70,00	100
15	10.801.415	75,00	100
16	10.801.416	80,00	100
17	10.801.417	85,00	100
18	10.801.418	90,00	100
19	10.801.419	95,00	100
20	10.801.420	100,00	100
21	10.801.421	105,00	100
22	10.801.422	110,00	100
23	10.801.423	115,00	100
24	10.801.424	120,00	100

General Information

Pitch	5 mm
No. of poles	2 - 24




Technical Data

Clamping Range	<i>solid / flexible / AWG</i> 0,14 - 2,5 mm ² / 0,14 - 1,5 mm ² / 26 - 14 AWG		
Rated Cross Section	1,5 mm ²		
Wire Stripping Length	6 mm ± 0,5 mm		
Overvoltage Category	III	III	II
Pollution Severity Level	3	2	2
Rated Voltage	200 V	320 V	500 V
Rated Impulse Voltage	4 kV	4 kV	4 kV
Rated Insulation Voltage	250 V acc. to EN 60998-1		
Rated Current	16 A		
Hole in PCB	ø 1,2 mm		
Torque	0,5 Nm		

Material

Moulding	PA, grey, V-0
Comparative Tracking Index	CTI ≥ 600
Insulating Group	I
Temperature Range	-40°C up to 100°C
Terminal body	Nickel plated brass
Pressure clamp	Tin plated tin bronze
Screw	M3; zinc plated steel, blue passivated
Solder pin	0,9 x 0,5 mm; tin plated tin bronze

Approvals

	Current [A]	Voltage [V]	Group	AWG	[Nm]
	10 [1]	300	B, D	30 - 14	0,51
	15	300	B	30 - 14	0,51
					

[1] 20 A max for factory-wiring applications only

Options / Accessories

- Consecutive numbering
- Special marking according to drawing
- Self-adhesive marking strip BST-5,00
- Pitch of 10 mm for larger clearance and creepage distances