

1-1337607-0 ✓ ACTIVE

TE Internal #: 1-1337607-0

RF Connectors, SMC RF Interface, Plug, RF Connector Mated Outer

Diameter (Approximate) .187 in [4.75 mm], 50 Ω

[View on TE.com >](#)



Connectors > RF Coax Connectors > RF Connectors



RF Interface: **SMC**

RF Connector Style: **Plug**

RF Connector Mated Outer Diameter (Approximate): **4.75 mm [ .187 in ]**

Impedance: **50 Ω**

Compatible With RF Cable Type: **KX 22A, KX 3B**

## Features

### Product Type Features

RF Interface	SMC
RF Connector Style	Plug
Compatible With RF Cable Type	KX 22A, KX 3B
Connector System	Cable-to-Cable
Sealable	No
Connector & Contact Terminates To	Wire & Cable

### Configuration Features

Number of Positions	1
Number of Coaxial Contacts	1

### Electrical Characteristics

Impedance	50 Ω
-----------	------

### Body Features

Body Shape	Circular
Cable Connector Orientation	Straight
Body Material	Brass



Body Plating Material	Gold
-----------------------	------

### Contact Features

RF Connector Center Contact Plating Material	Gold
RF Connector Center Contact Material	Beryllium Copper

### Termination Features

Termination Method to Wire & Cable	Solder
------------------------------------	--------

### Mechanical Attachment

RF Connector Coupling Mechanism	Threaded
Connector Mounting Type	Panel Mount
RF Contact Captivation Method	Solder
Detent	Without

### Dimensions

Flats Dimension	6.0 A/F
RF Connector Mated Outer Diameter (Approximate)	4.75 mm [.187 in]

### Usage Conditions

Operating Temperature Range	-65 – 165 °C [-85 – 329 °F]
-----------------------------	-----------------------------

### Operation/Application

Operating Frequency	10 GHz
---------------------	--------

### Packaging Features

Packaging Quantity	100
Packaging Method	Box

### Other

Grade	Professional
Coupling Nut Base Material	Brass
Military Style Number	UG-1465/U
Dielectric Material	PTFE

### Product Compliance

[For compliance documentation, visit the product page on TE.com>](#)

EU RoHS Directive 2011/65/EU	Not Compliant
EU ELV Directive 2000/53/EC	Compliant with Exemptions
China RoHS 2 Directive MIIT Order No 32, 2016	Restricted Materials Above Threshold

EU REACH Regulation (EC) No. 1907/2006

Current ECHA Candidate List: JAN 2021 (211)

Candidate List Declared Against: JAN 2021 (211)

SVHC > Threshold:

Pb (4% in Component Part)

**Article Safe Usage Statements:**

Do not eat, drink or smoke when using this product. Wash thoroughly after handling. Recycle if possible and dispose of the article by following all applicable governmental regulations relevant to your geographic location.

Halogen Content

Low Halogen - Br, Cl, F, I < 900 ppm per homogenous material. Also BFR/CFR/PVC Free

Solder Process Capability

Wave solder capable to 265°C

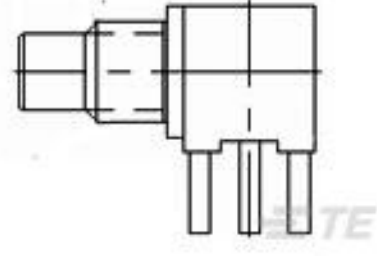
**Product Compliance Disclaimer**

This information is provided based on reasonable inquiry of our suppliers and represents our current actual knowledge based on the information they provided. This information is subject to change. The part numbers that TE has identified as EU RoHS compliant have a maximum concentration of 0.1% by weight in homogenous materials for lead, hexavalent chromium, mercury, PBB, PBDE, DBP, BBP, DEHP, DIBP, and 0.01% for cadmium, or qualify for an exemption to these limits as defined in the Annexes of Directive 2011/65/EU (RoHS2). Finished electrical and electronic equipment products will be CE marked as required by Directive 2011/65/EU. Components may not be CE marked. Additionally, the part numbers that TE has identified as EU ELV compliant have a maximum concentration of 0.1% by weight in homogenous materials for lead, hexavalent chromium, and mercury, and 0.01% for cadmium, or qualify for an exemption to these limits as defined in the Annexes of Directive 2000/53/EC (ELV). Regarding the REACH Regulation, the information TE provides on SVHC in articles for this part number is based on the latest European Chemicals Agency (ECHA) 'Guidance on requirements for substances in articles' posted at this URL: <https://echa.europa.eu/guidance-documents/guidance-on-reach>

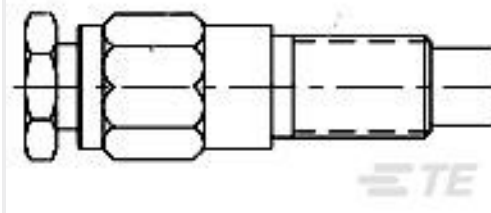
## Compatible Parts



TE Part # 1-1337485-0  
SMC Str PCB Skt 50Ohm Gold Plt



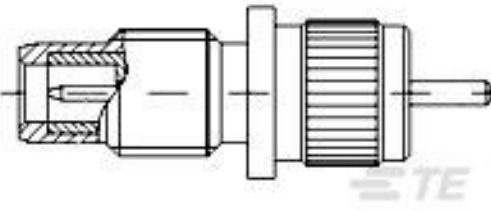
TE Part # 1060259-1  
5064 5003 09



TE Part # 1311638-1  
C65E06G022X

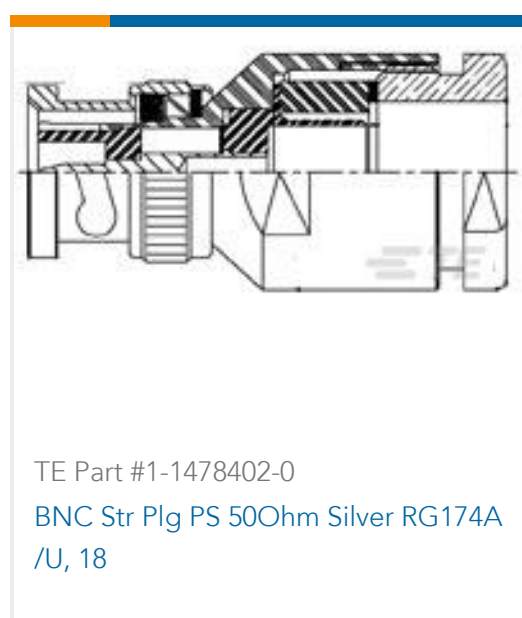
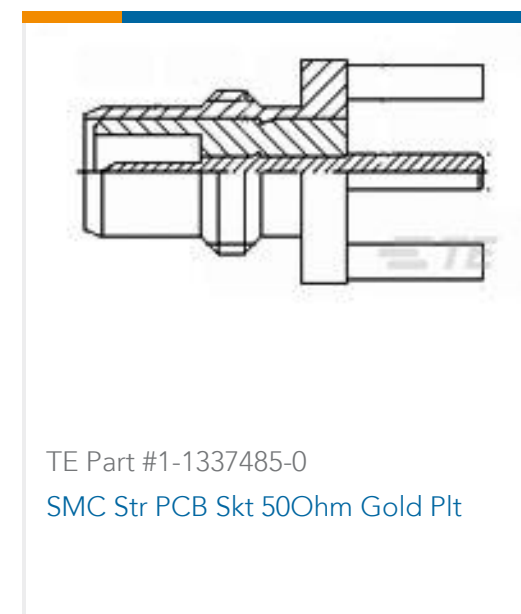


TE Part # 51751-1  
SMC BLKHD JACK ASSY



TE Part # 619045-1  
SMC FRONT PL EINPRKU

## Customers Also Bought



## Documents

### Product Drawings

[SMC Str Plg PS 50Ohm Gold Pltd RG174A/U,](#)

English

### CAD Files

[3D PDF](#)

3D

Customer View Model

[ENG\\_CVM\\_CVM\\_1-1337607-0\\_D.2d\\_dxf.zip](#)

English

Customer View Model

[ENG\\_CVM\\_CVM\\_1-1337607-0\\_D.3d\\_igs.zip](#)

English

Customer View Model

[ENG\\_CVM\\_CVM\\_1-1337607-0\\_D.3d\\_stp.zip](#)

English

By downloading the CAD file I accept and agree to the [Terms and Conditions](#) of use.

### Datasheets & Catalog Pages

1-1337607-0

RF Connectors, SMC RF Interface, Plug, RF Connector Mated Outer Diameter  
(Approximate) .187 in [4.75 mm], 50  $\Omega$



## 1307191 RF Coax Products Catalog

English