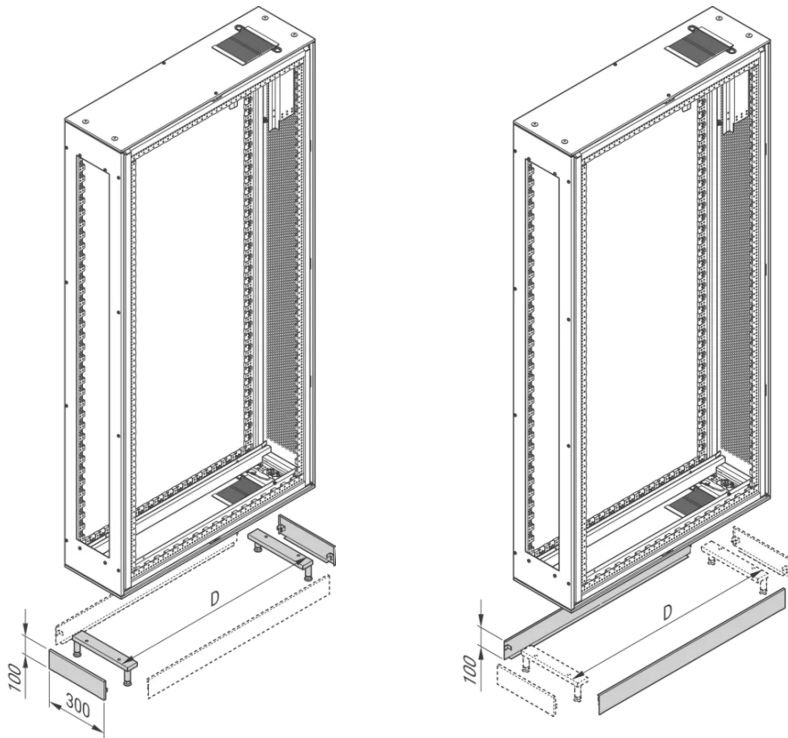


23130-507 VARISTAR SHX 30 BASE PLINTH



KEY FEATURES

Base plinth for Varistar SHX 30 air/water heat exchanger rack

Base plinth for 300 mm wide frame (air/water heat exchanger)

Base is bolted to the frame at front and rear; please order side trims separately

PRODUCT ATTRIBUTES

Product Type: Cabinet/Rack Base

Product Family: Varistar

Type: Base Plinth

Height: 100 mm

Width: 300 mm

ADDITIONAL PRODUCT DETAILS

The base plinth seals the space between the floor and the Varistar SHX 30 Rack in order to minimize air leakage or recirculation. This contributes to the optimization of the air path and cooling efficiency of the installation.

Only front and rear panels included. Order side panels separately.

CERTIFICATIONS



North America

All locations
+1.763.422.2661
Chat with us:
schroff.nvent.com

Europe

Straubenhardt, Germany
+49.7082.794.0
Betschdorf, France
+33.3.88.90.64.90
Warsaw, Poland
+48.22.209.98.35
Assago, Italy
+39.02.932.7141
Chat with us:
schroff.nvent.com

Asia

Shanghai, China
+86.21.2412.6943
Qingdao, China
+86.532.8771.6101
Singapore
+65.6768.5800
Shin-Yokohama, Japan
+81.45.476.0271
Chat with us:
schroff.nvent.com

Middle East & India

Dubai, United Arab Emirates
+971.4.378.1700
Bangalore, India
+91.80.6715.2001
Istanbul, Turkey
+90.216.250.7374
Chat with us:
schroff.nvent.com



Our powerful portfolio of brands:
nVent.com **CADDY ERICO HOFFMAN RAYCHEM SCHROFF TRACER**

© 2023 nVent. All nVent marks and logos are owned or licensed by nVent Services GmbH or its affiliates. All other trademarks are the property of their respective owners.

nVent reserves the right to change specifications without notice.