



## DC POWER CONNECTORS: KPJX-PM Series

### Snap and Lock Panel Mount

#### Product Features

Laptop Computers, Power Supplies and Other Portable Digital Equipment Applications

Snap & Lock Feature Helps to Prevent Accidental Disconnects

3 or 4 Pins Transmit Power, or One Pin Can Be Used For Signal Transmission

For Signal and DC Power Applications

CSA/NRTL Certified File No. LR78160

UL File No. E140125

#### Performance Specifications

##### Materials and Finish

**Shield:** Copper Alloy, Tin Plated

**Body:** PBT Thermoplastic, UL94 V-0 Rated

**Power Pins:** Brass, Tin Plated

**Signal Pins:** Phosphor Bronze, Tin Plated

#### Electrical Characteristics

##### Contact Rating

**3 Position:** Pin 1 and 2, 48V DC at 7.5A Max.,  
Pin 3, 48V DC 1.0A Max.

**4 Position:** 48V DC 7.5A Max. For All Pins

**Insulation Resistance:** 50 Megohms Min. at 250V DC

**Dielectric Withstanding Voltage:** 500V AC For 1 Minute

**Contact Resistance:** 30 milliohms Max.

#### Mechanical Characteristics

**Durability:** 1000 Cycles

**Suggested Wire Awg.:** #18 For Power Wires, #24 for Signal Wire

2D Drawing	IGES	STEP	3D PDF
Check Stock	Solder Profile	Request a Sample	Send Us An Email
RoHS Compliant	REACH Compliant	UL Plastic	Certificate of Compliance

#### Generated Part Number



#### Part Number Builder

<input type="text"/>	-	<input type="text"/>	<input type="text"/>	<input type="text"/>
Series		No. of Contacts	Contact Type	Shield Option

##### Series

KPJX-PM - Receptable, Panel Mount

##### Number of Contacts

3 Pin

4 Pin

##### Contact Type

S - Socket

##### Shield Option

Blank - Non-Shielded

S - Shielded

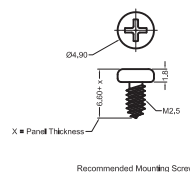
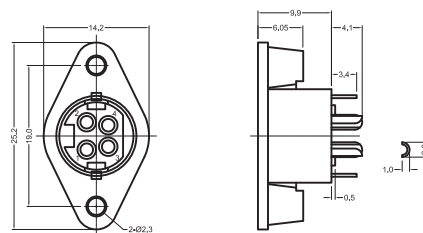
**Mates with: KPPX Series Plugs**

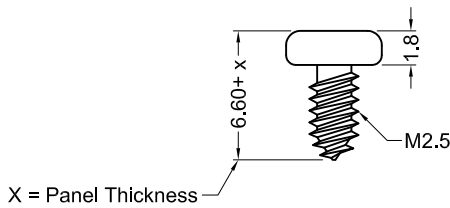
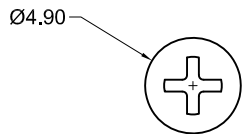
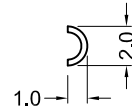
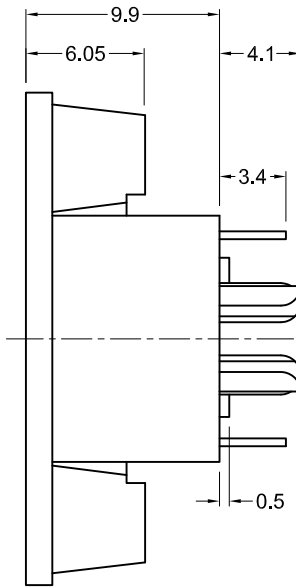
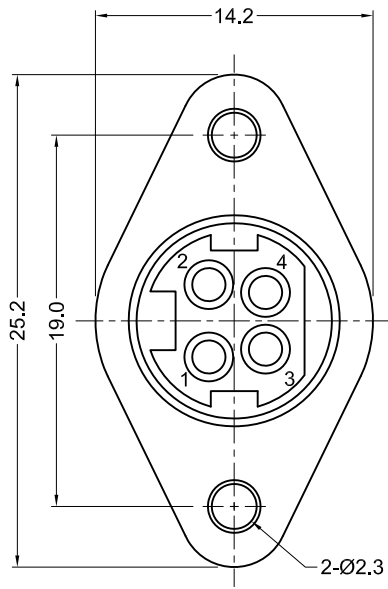
Contact Kycon for Other Options

#### KPJX-PM Series

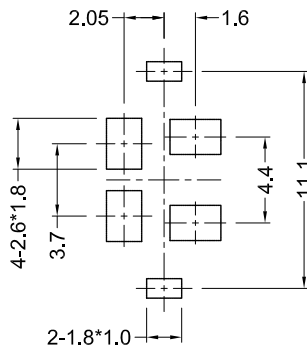
Dimensions in mm

##### KPJX-PM-4S





Recommended Mounting Screw



Recommended PCB Layout

**Material and Finish**

Body: PBT Thermoplastic,  
UL94V-0 Rated  
Color: Black

**Contacts:**

Pins: Brass, Tin Plated  
Ground: Brass, Tin Plated

**Electrical Characteristics**

Contact Rating (Per Pin):  
7.5A Max. @ 48V DC

Insulation Resistance:  
50 Megohms Min @ 250V DC

Dielectric Withstanding Voltage:  
500V AC RMS for 1 Minute

Contact Resistance:  
30 milliohms Max.

Operating Temperature:  
-40°C to +75°C

Tolerances
X.X ± 0.35
X.XX ± 0.25
Unless Stated
Otherwise



REV.	DATE	DESCRIPTION	REV. BY	CHK. BY	DRAWN BY	DATE
B6	01/28/13	ECO #13-006	S. Vien	P. DalCanto	A. Frederick	05/09/07
B7	04/19/13	ECO #13-023	D. Gih	P. DalCanto		
B8	11/14/13	ECO #13-088	C. Kelleher	P. DalCanto		
B9	09/18/15	ECO #15-010	C. Kelleher	W. Cook	UNITS	mm
B10	02/29/16	ECO #16-005	C. Kelleher	W. Cook		
B11	08/12/16	ECO #16-021	H. MA	W. Cook		

**KPJX-PM-4S**

Power Jack, RoHS Compliant

4 Pin, Non-Shielded, Panel Mount

