



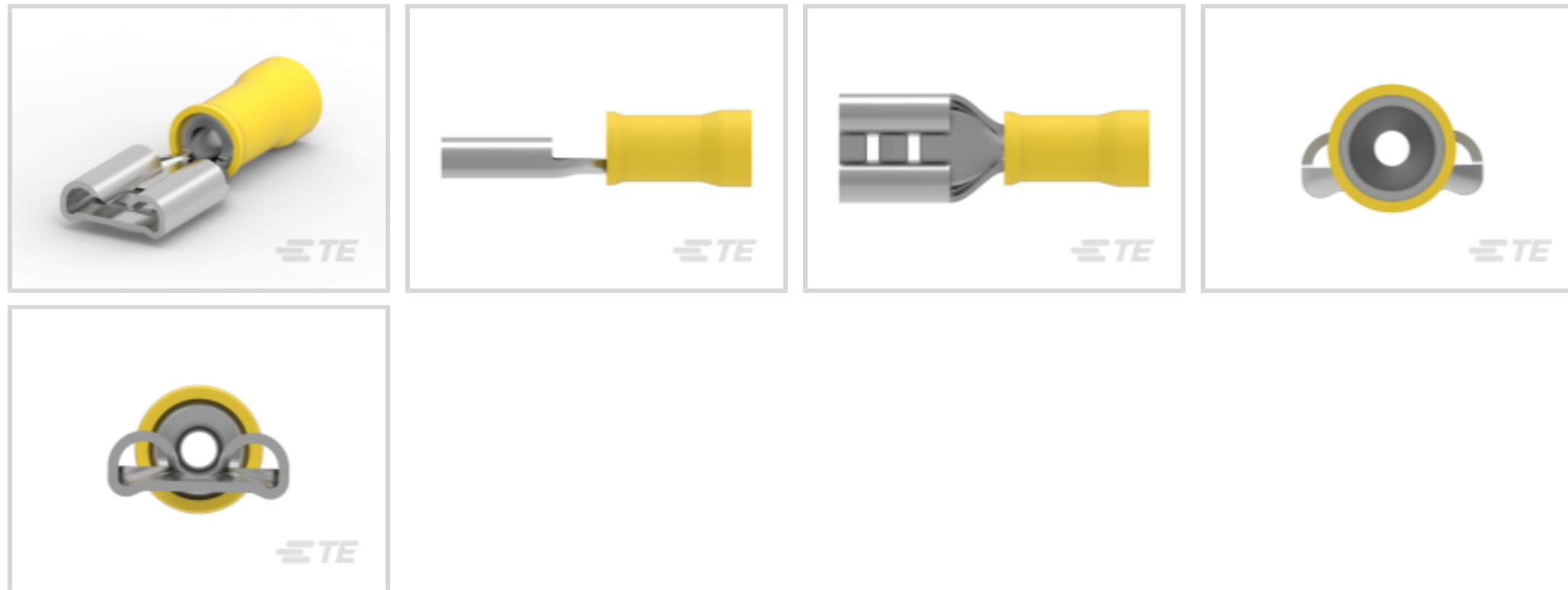
PIDG

TE Internal #: 641321-1

PIDG, Quick Disconnects, Receptacle, 26 – 24AWG Wire Size, .12 – .20mm² Wire Size, 238 – 475CMA Wire Size

[View on TE.com >](#)

Terminals & Splices > Quick Disconnects > PIDG FASTON RECPT QUICK DISCONNECTS



Terminal & Splice Type: **Receptacle**

Wire Size: **238 – 475 CMA**

Quick Disconnect Mating Tab Width: **4.75 mm [.187 in]**

[All PIDG FASTON RECPT QUICK DISCONNECTS \(25\)](#)

Features

Product Type Features

Wire Stop	Yes
Terminates To	Wire & Cable
Quick Disconnect Insertion Force	Normal
Sealable	No
Insulated	Yes

Electrical Characteristics

Voltage (Max)	300 V
---------------	-------

Body Features

Insulation Material	Nylon
Fully Insulated	No
Quick Disconnect Plating Material	Tin

Contact Features

Terminal Type	Receptacle
Terminal & Splice Type	Receptacle



Quick Disconnect Terminal Orientation	Straight
Contact Base Material	Brass
Crimp Type	Compression
Barrel Type	Closed

Mechanical Attachment

Mating Retention Type	Dimple
Wire Insulation Support	With

Dimensions

Accepts Wire Insulation Diameter Range	2.08 mm[.082 in]
Overall Length	17.81 mm[.7 in]
Receptacle Terminal Stock Thickness	.41 mm[.016 in]
Wire Size	238 – 475 CMA
Quick Disconnect Mating Tab Width	4.75 mm[.187 in]
Quick Disconnect Mating Tab Thickness	.51 mm[.02 in]

Usage Conditions

Insulation Requirement	Partially Insulated
Operating Temperature Range	105 °C[221 °F]

Industry Standards

RU (UL Component Program)	No
CSA Certified	No

Packaging Features

Packaging Quantity	1000
Quick Disconnect Packaging Method	Loose Piece

Other

Barrel Color	Yellow
--------------	--------

Product Compliance

[For compliance documentation, visit the product page on TE.com>](#)

EU RoHS Directive 2011/65/EU	Compliant
EU ELV Directive 2000/53/EC	Compliant
China RoHS 2 Directive MIIT Order No 32, 2016	No Restricted Materials Above Threshold
EU REACH Regulation (EC) No. 1907/2006	

Current ECHA Candidate List: JAN 2021
 (211)
 Candidate List Declared Against: JAN 2021
 (211)
 Does not contain REACH SVHC

Halogen Content
 Low Halogen - Br, Cl, F, I < 900 ppm per homogenous material. Also BFR/CFR/PVC Free

Solder Process Capability
 Not applicable for solder process capability

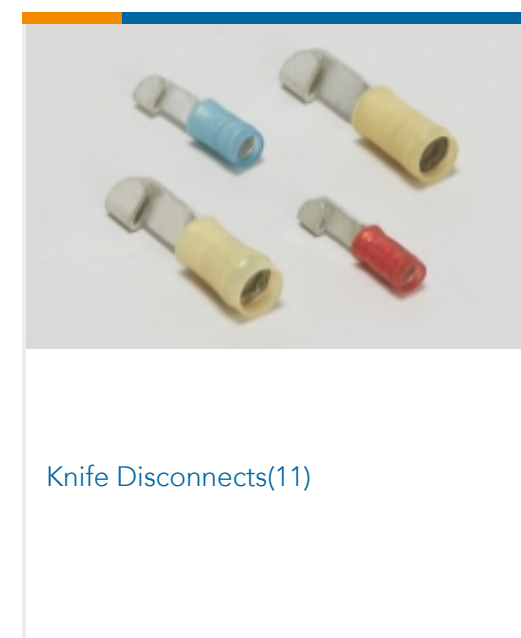
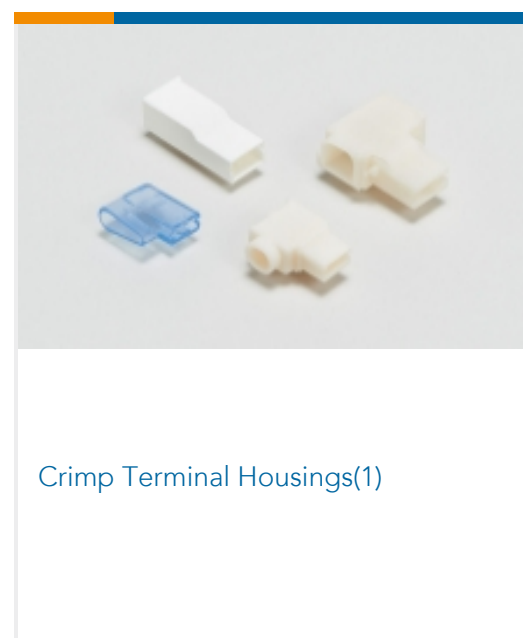
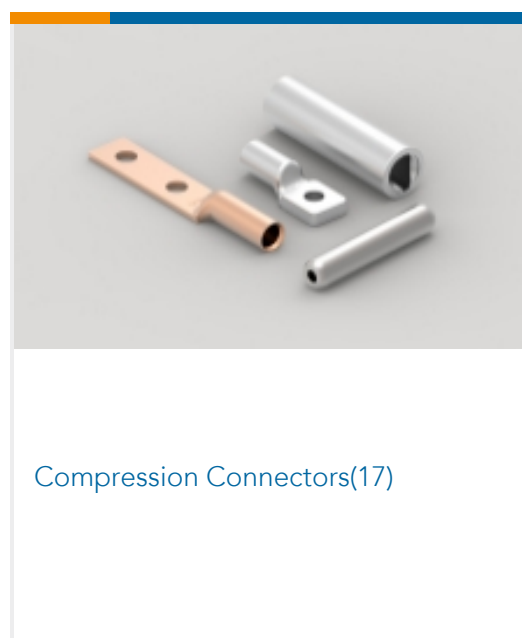
Product Compliance Disclaimer

This information is provided based on reasonable inquiry of our suppliers and represents our current actual knowledge based on the information they provided. This information is subject to change. The part numbers that TE has identified as EU RoHS compliant have a maximum concentration of 0.1% by weight in homogenous materials for lead, hexavalent chromium, mercury, PBB, PBDE, DBP, BBP, DEHP, DIBP, and 0.01% for cadmium, or qualify for an exemption to these limits as defined in the Annexes of Directive 2011/65/EU (RoHS2). Finished electrical and electronic equipment products will be CE marked as required by Directive 2011/65/EU. Components may not be CE marked. Additionally, the part numbers that TE has identified as EU ELV compliant have a maximum concentration of 0.1% by weight in homogenous materials for lead, hexavalent chromium, and mercury, and 0.01% for cadmium, or qualify for an exemption to these limits as defined in the Annexes of Directive 2000/53/EC (ELV). Regarding the REACH Regulation, the information TE provides on SVHC in articles for this part number is based on the latest European Chemicals Agency (ECHA) 'Guidance on requirements for substances in articles' posted at this URL: <https://echa.europa.eu/guidance-documents/guidance-on-reach>

Compatible Parts



Also in the Series | PIDG

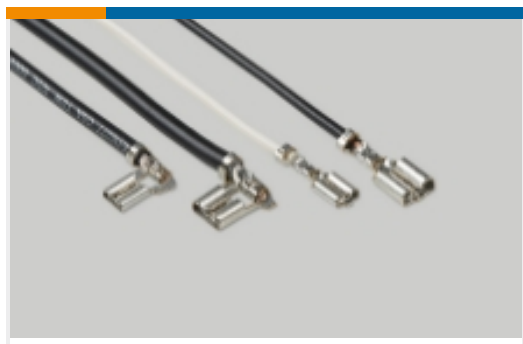




PCB Terminals(9)



Portable Crimp Tools(2)



Quick Disconnects(53)



Ring Terminals & Spade Terminals(862)



Special Purpose Terminals(1)



Splices(48)

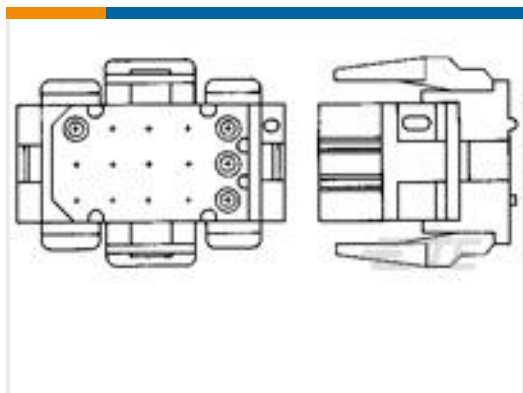
Customers Also Bought



TE Part #1658642-1
D-Sub Crimp: Plug, Signal, 9 Posn, Pin Size 20, Shell Size 1



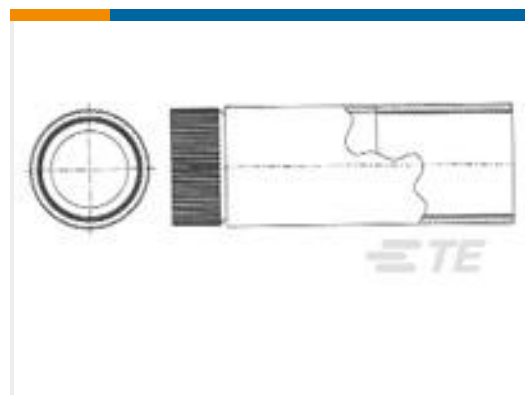
TE Part #1658686-3
D-Sub Conn Contacts: Socket, Phosphor Bronze, Signal, Size 22



TE Part #1-640524-0
20P MR II PLUG HSG V0 RED



TE Part #104483-4
26 SHORT PT RCPT HSG DR .100CL



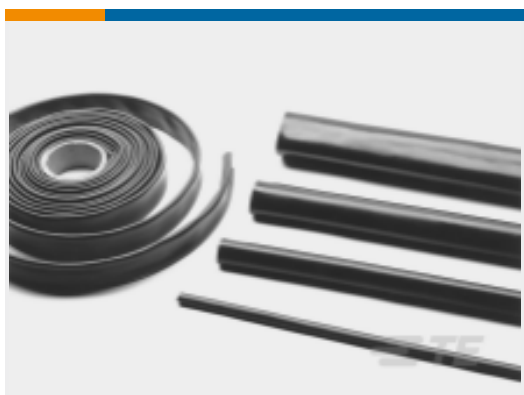
TE Part #1546921-1
STR RLF ASSY,TUBING,SIZE 11



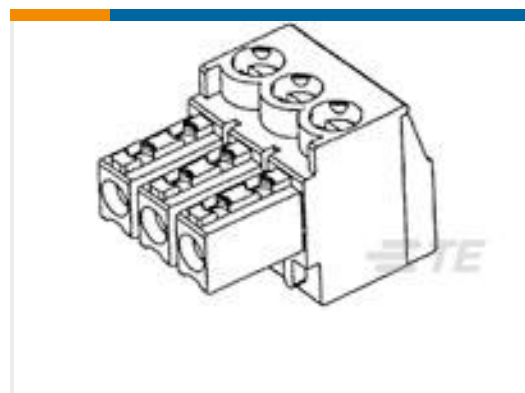
TE Part #1571384-4
CAP,BLACK



TE Part #1-6609130-3
CORCOM M SERIES MULTI-FUNCTION INLET FIL



TE Part #D25800-000
Single Wall RT 780: Heat Shrink Tubing, 2:1 Shrink Ratio



TE Part #1-284506-2
12 POS TERMI-BLOK PLUG STAC 3,



TE Part #1571627-1
FSM103A=TACT SWITCH,260G

Documents



Product Drawings

RECEPT PIDG FASTON 26-24 187

English

CAD Files

3D PDF

3D

3D PDF

English

Customer View Model

[ENG_CVM_641321-1_H.3d_igs.zip](#)

English

Customer View Model

[ENG_CVM_641321-1_H.3d_stp.zip](#)

English

Customer View Model

[ENG_CVM_641321-1_H.2d_dxf.zip](#)

English

Customer View Model

[ENG_CVM_CVM_641321-1_F.2d_dxf.zip](#)

English

Customer View Model

[ENG_CVM_CVM_641321-1_F.3d_igs.zip](#)

English

Customer View Model

[ENG_CVM_CVM_641321-1_F.3d_stp.zip](#)

English

By downloading the CAD file I accept and agree to the [Terms and Conditions](#) of use.

Datasheets & Catalog Pages

Ultra-Fast and Ultra Fast Plus

English

PIDG_FASTON

English

PIDG TERMINALS & SPLICES Quick Reference Guide

English

Product Specifications

Application Specification

English

Product Environmental Compliance

[MD_641321-1_032820181319_dmtec](#)

English

[MD_641321-1_032820181319_dmtec](#)

English



[Agency Approvals](#)

[Agency Approval Document](#)

English