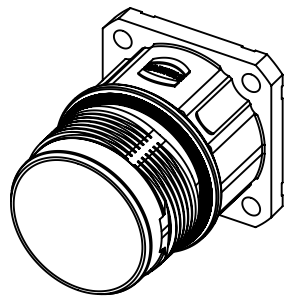
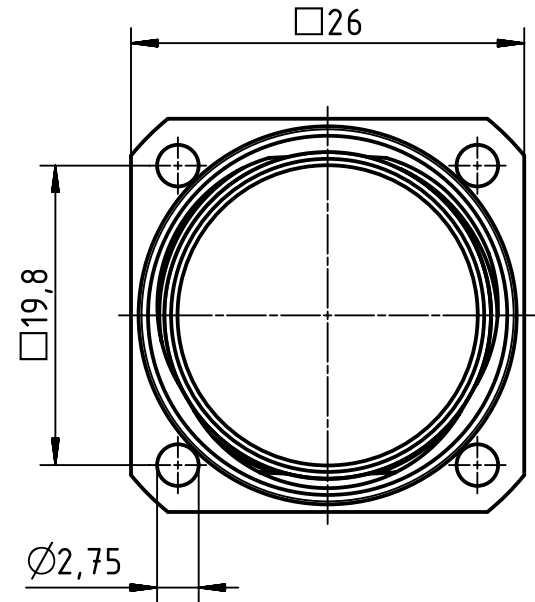
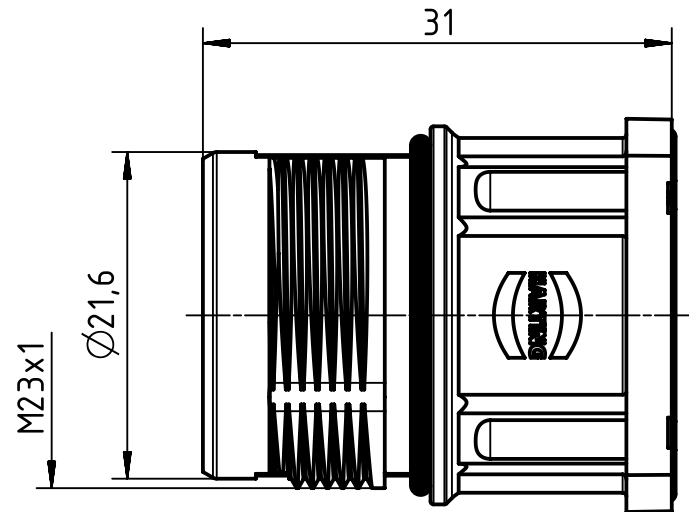
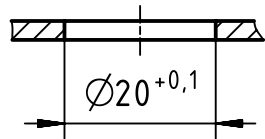
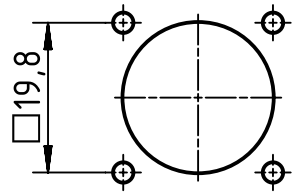



panel cut out  
(1:1)



	All rights reserved Department EL PD	Created by DYCKC		Inspected by GRUBES		Standardisation TIEMANNA		Date 2019-07-19		State Final Release	
		HARTING Electric GmbH & Co. KG D-32339 Espelkamp		Title M23 P HBM Front 2,7mm		Type TB		Number 09 15 600 0301		Doc-Key / ECM-Nr. 100734972/UGD/000/B 500000155114	