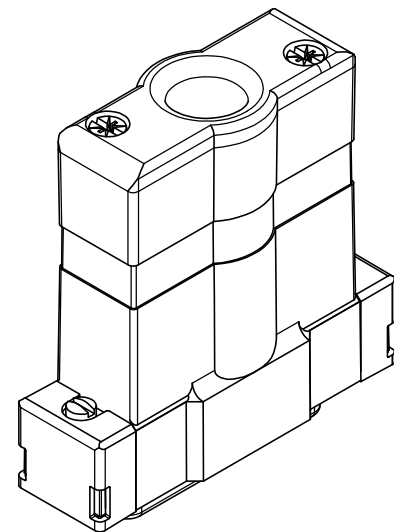
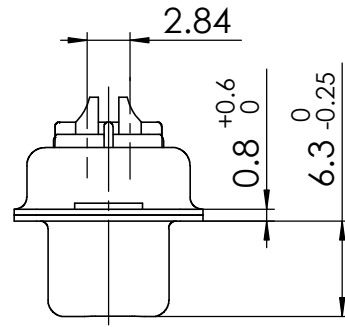
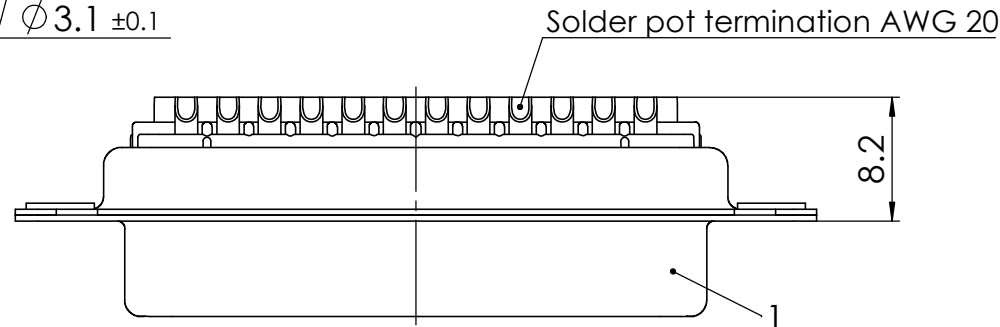
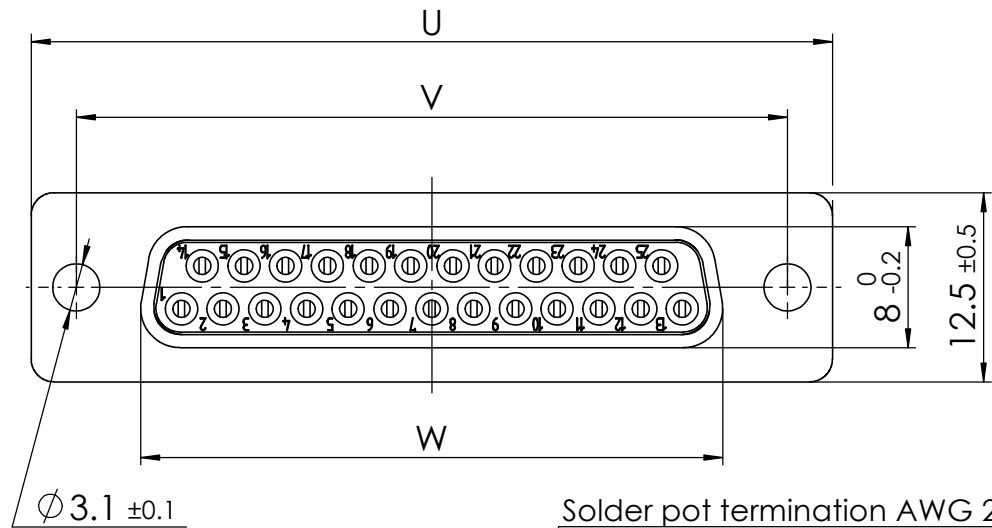
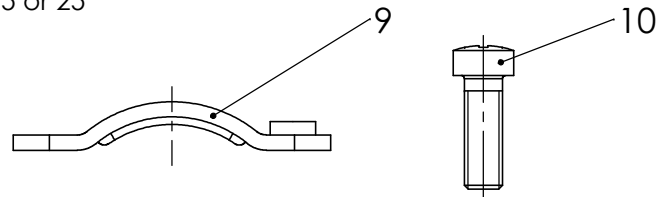


1	2	3	4		5		6		7		8
Material-No.	Order-No.	Shell Size / for No. of Contacts	A ±0.3	B ±0.1	C ±0.3	D min - max	E ±0.3	∅F min - max	U ±0.4	V ±0.15	W -0.2
1731140390	FWH2A-15S-3649	2 / 15	14.6	33.3	42	45.5 - 48	15.9	6 - 8	39.1	33.3	24.7
1731140392	FWH3A-25S-3649	3 / 25	18.8	47.04	55.7	52.5 - 56.5	18.9	8 - 10.5	53	47.04	38.5

FWHyA-xxS-3649

e.g. FWH3A-25S-3649

*1) y for hood size 2 or 3
*2) xx No. of contacts 15 or 25

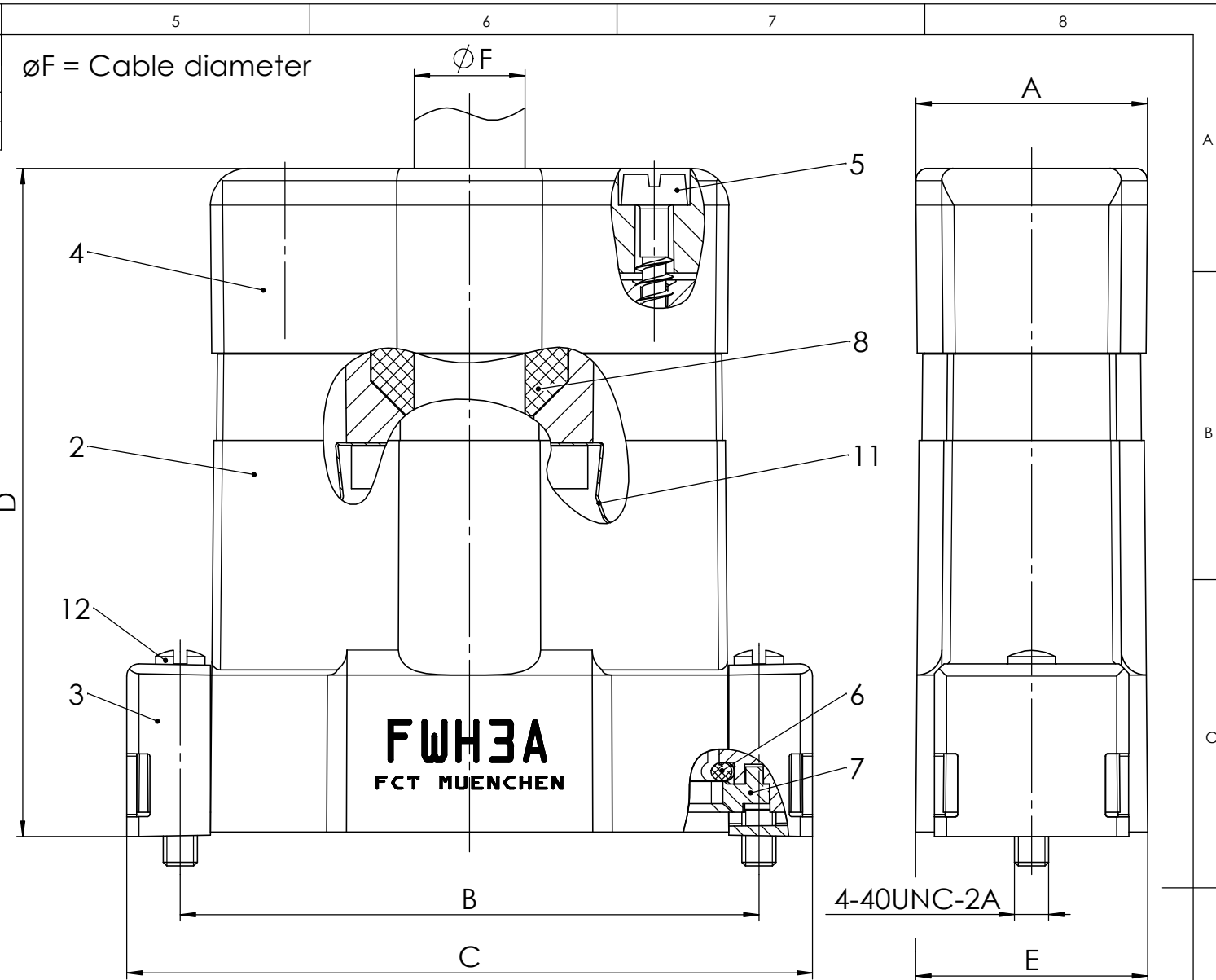


reverse side
1 : 2

RoHS compliant
by exemption

max. torque are 40 Nm
Mounting instruction AM0324
Parts-No. 3, 9 and 10 not mounted

Protection standard IP67
according to DIN EN 60529



No.	St.	Part	Type Description / Material	Surface plating / Colour / Class
12	2	Locking screw	FVS1/5 4-40 / Brass	nickel plated
11	1	Shielding plate	Bronze	tin plated
10	2	Cable clamp screw	Steel	zinc plated
9	2	Cable clamp	Steel	zinc plated
8	1	Seal ring	Elastomer	black
7	1	Holding frame	PBT	black
6	1	O-ring seal	Elastomer	red
5	2	Shell screw	Stainless steel	blank
4	1	Hood cap	PC+ABS	nickel plated
3	2	Holding cap	PEI	black
2	1	Hood	FWHyA / PC+ABS	nickel plated
1	1	Waterproof D-Sub Connector	FxxS-K700	

SYMBOLS					THIS DRAWING CONTAINS INFORMATION THAT IS PROPRIETARY TO MOLEX ELECTRONIC TECHNOLOGIES, LLC AND SHOULD NOT BE USED WITHOUT WRITTEN PERMISSION				
▽ = 0	▽ = 0	▽ = 0	▽ = 0	▽ = 0	DIMENSION UNITS	SCALE	MEASUREMENTS WITHOUT TOLERANCE ACC. TO	molex	
▽ = 0	▽ = 0	▽ = 0	▽ = 0	▽ = 0	mm	2:1	ISO 2768-m		
▽ = 0	▽ = 0	▽ = 0	▽ = 0	▽ = 0	CURRENT REVISION			PRODUCT CUSTOMER DRAWING	
3	24143	DRWN: DRAWN BY ameyerrichte 28-08-2019			FCT-Hood Connector Set waterproof				
2	24130	APPR: APPR BY HStanisch 28-08-2019			MATERIAL NUMBER				
1		INITIAL REVISION			see table				
1		DRWN: DRAWN BY ameyerrichte 13-11-2018			REVISION				
1		APPR: APPR BY BWittek 13-11-2018			3				
REPLACEMENT FOR:	THIRD ANGLE PROJECTION	DRAWING			DOCUMENT NUMBER		CUSTOMER		SHEET NUMBER
		A3-SIZE			FWHyA-xxS-3649		GENERAL MARKET		1 OF 1

COMMENT: ALL RIGHTS ARE RESERVED BY US FOR THIS DRAWING. WITHOUT OUR PRIOR CONSENT, IT MAY NEITHER BE DUBLICATED NOR MADE AVAILABLE TO A THIRD PARTY. AND IT ALSO MAY NOT BE IMPROPERLY USED BY THE RECEIVER, OR A THIRD PARTY.