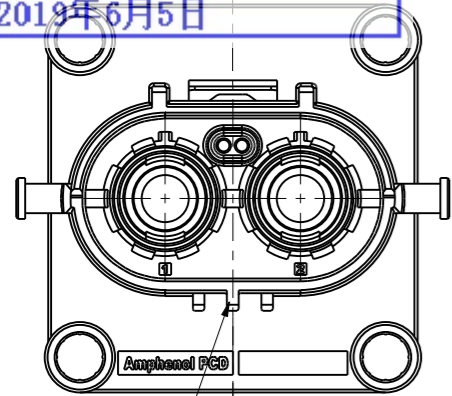


受控文件

2019年6月5日

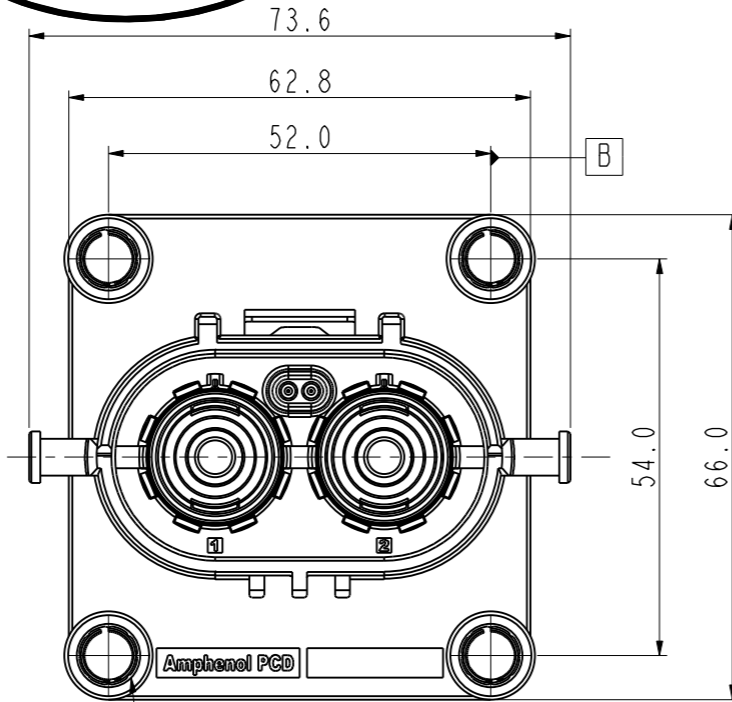
REV	ECN	DESCRIPTION	DATE	MODIFIED
7	C3325-N	Modified specification	2019.05.14	CELINE.XIE
8	C3370-N	Adjust the tolerance	2019.06.03	DICK.RAO

Amphenol PCD SZ
ORIGINAL
PDF Format
R&D

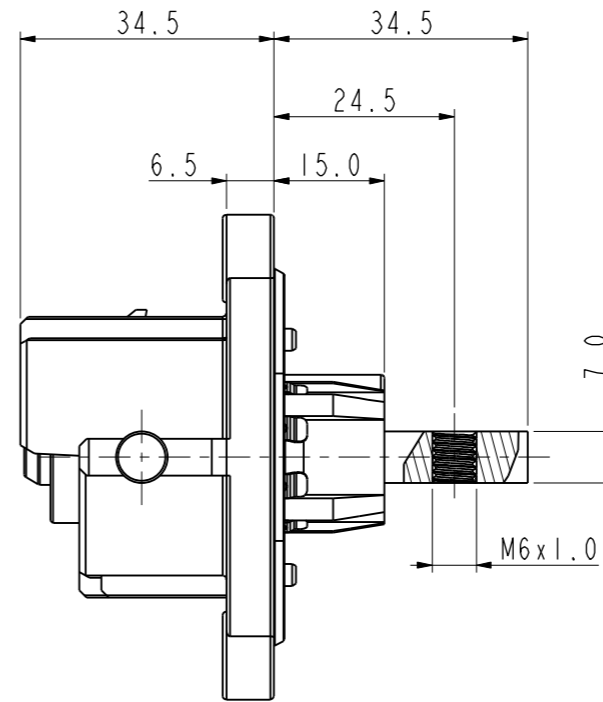


KEY 0

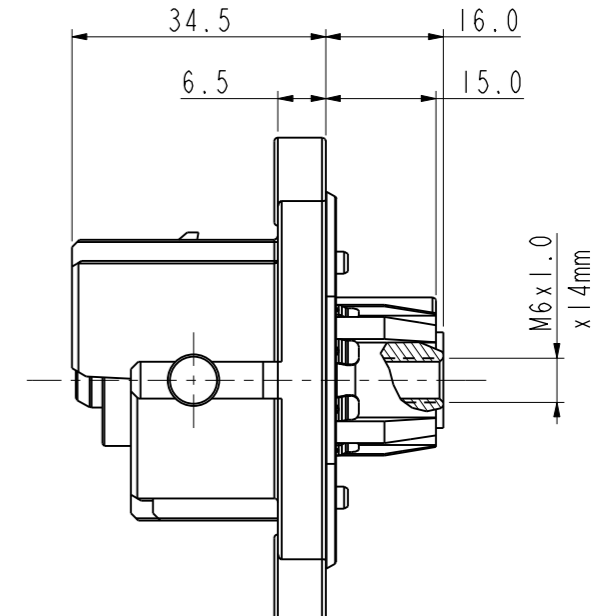
HVSL800022AXXX
CODING A



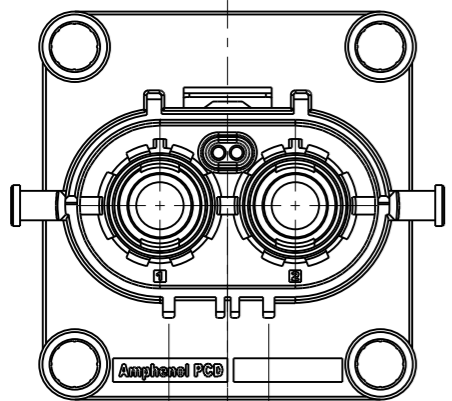
M6 SCREW AND WASHER APPLICABLE



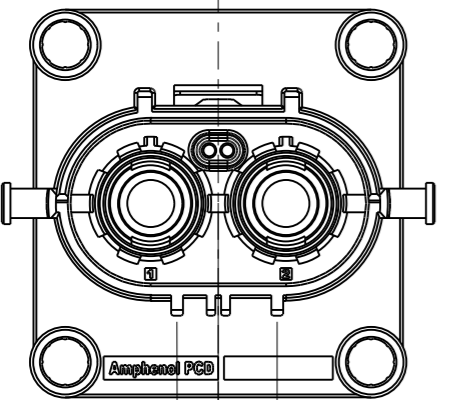
POWER CONTACT
HOLE TERMINATION



POWER CONTACT
SCREW TERMINATION-INTERNAL



HVSL800022BXXX
CODING B

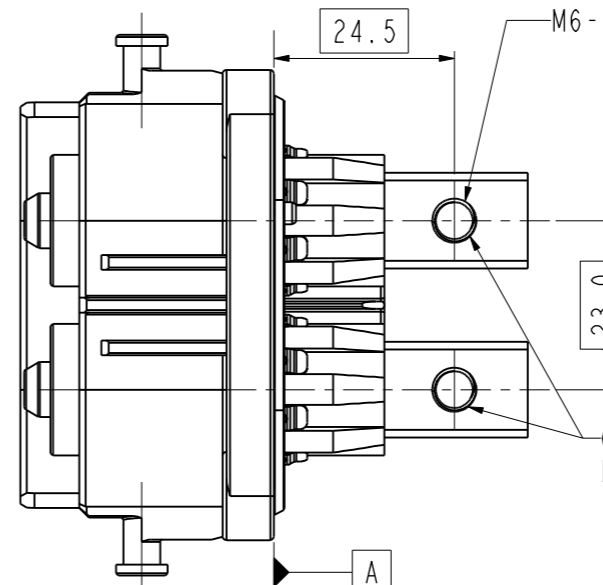


HVSL800022CXXX
CODING C

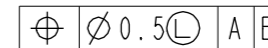
HOW TO ORDER

HVSL 800 02 2X X XX

- A: CODING A
- B: CODING B
- C: CODING C
- 0: WITHOUT HVIL
- 1: WITH HVIL
- H6: HOLE TERMINATION (M6 THREAD)
- D6: SCREW TERMINATION-INTERNAL (M6 THREAD)



COPPER ROW AND TERMINAL SCREW HOLE POSITION DEGREE REQUIREMENTS:

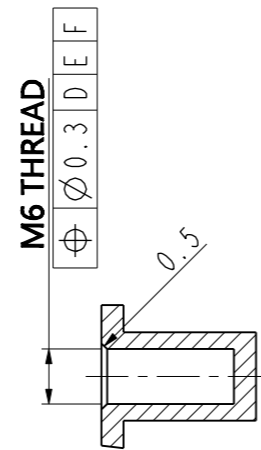
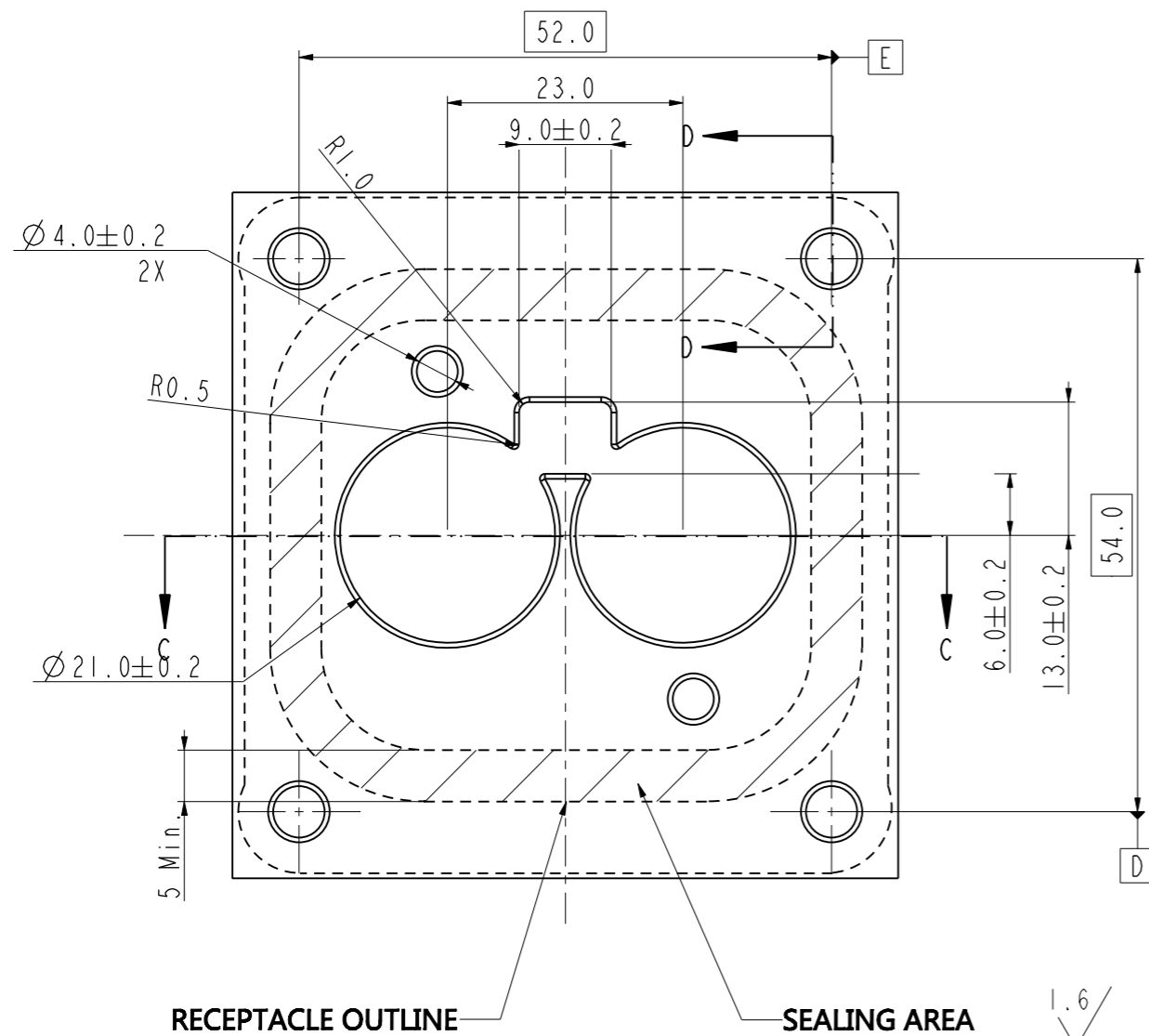
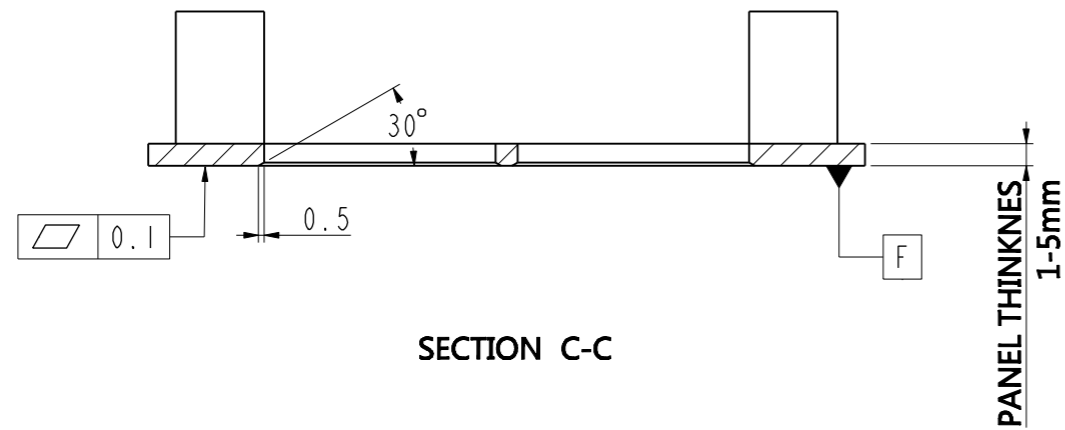


DIMENSIONS	TOLERANCES	PROJECTION	TITLE			
ANSI Y14.5M UNITS: MM Pro/E FILE	X ±0.5 .XX ±0.05 ANGLES ±0.5°		Amphenol Pcd Shenzhen			
ORIGINAL	THIS DOCUMENT CONTAINS PROPRIETARY INFORMATION WHICH IS THE CONFIDENTIAL PROPERTY OF AMPHENOL PCD SHENZHEN		ENGR celine.xie 2018.11.14	HVSL 800 02 2 X X XX RECEPTACLE ASSEMBLY		
			CHKD	SIZE A3	DWG NO. C-HVSL800022XXXX	REV 8
			APPD	CODE: 58982	SCALE: 1:1	SHEET 1 OF 3

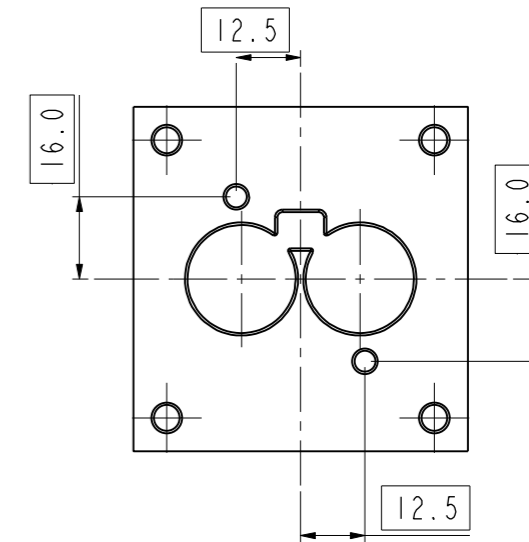
C-HVSL800022XXXX

C-HVSL800022XXXX

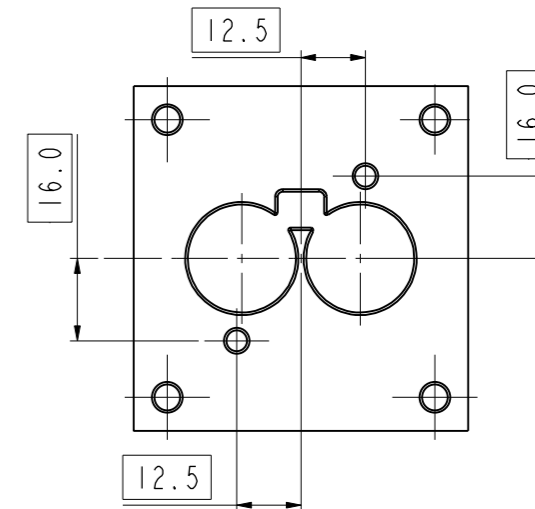
PANEL DRILLING



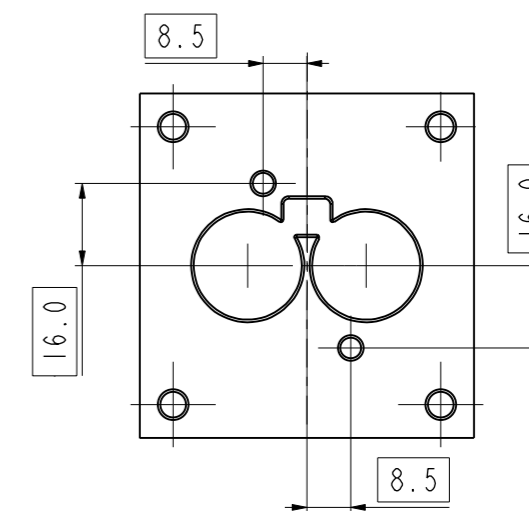
CODING A



CODING B



CODING C



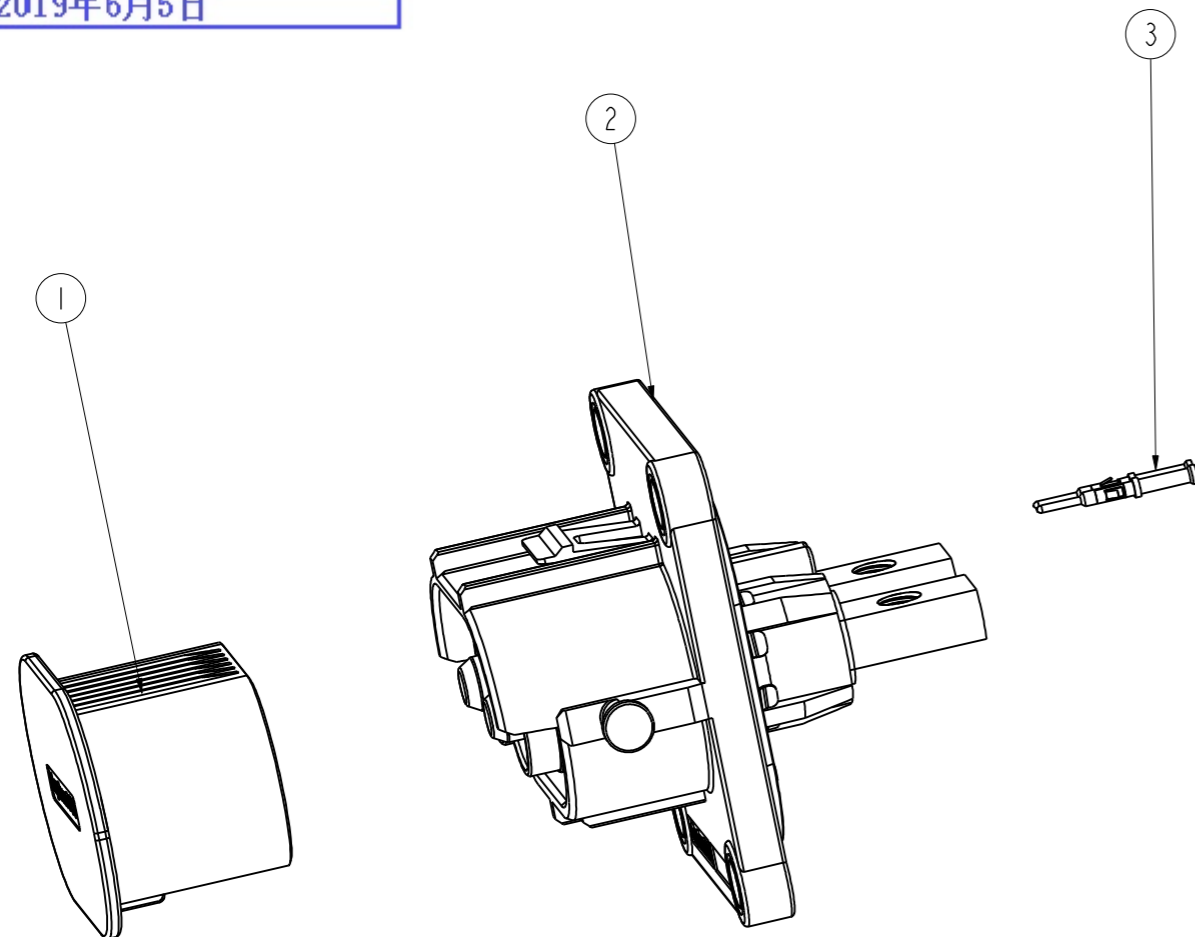
SIZE A3	DWG NO. C-HVSL800022XXXX	REV 8
CODE: 58982	SCALE: 1:1	SHEET 2 OF 3

C-HVSL800022XXXX

C-HVSL800022XXXX

受控文件

2019年6月5日



NOTES :

1.Material&Finish:

Plastic body:Thermoplastics UL 94V-0 orange color.

Power contact:Copper alloy silver plated

Seal:SI meet the combustion requirements of GBT2408:

Horizontal combustion requires grade HB and vertical combustion requires grade v-0

2.Flange mounting hole M6 locking torque is recommended

to be 4~5N.m(Reference standard:QC/T518-1999),Destructive testing 10N.m;

3.Current terminal M6 fixed screw locking torque is recommended

to be 5.3~6N.m(Reference standard:NF F61-017),Destructive testing 8N.m

TECHNICAL DATA

CURRENT RATE (50MM ² SHIELD CABLE)	180A @ AMBIENT 70° C	✦
CURRENT RATE (35MM ² SHIELD CABLE)	150A @ AMBIENT 70° C	✦
CURRENT RATE (25MM ² SHIELD CABLE)	120A @ AMBIENT 70° C	✦
UL RATING VOLTAGE (OVERVOLTAGE CATEGORY II POLLUTION DEGREE 2)	1500V DC	✦
OPERATING TEMPERATURE	-40~125° C	
DIELECTRIC WITH STANDING VOLTAGE	3000V AC	✦
INSULATION RESISTANCE	100MΩ MIN.	✦
DURABILITY	50 CYCLES	◎
SHIELDING	YES	
WATERPROOF(MATED CONDITION)	IP 67、IP6K9K	✦
PROTECTION LEVEL	IP2XB	✦
AMBIENT TEMPERATURE	-40~70° C	

3	C420003643	HVIL PIN	2	OPTIONAL
2	HVSL800022	RECEPTACLE BODY(A,B,C)	1	NA
1	C422003730	DUST CAP	1	NA
ITEM	PART NO.	DESCRIPTION	Q'TY	REMARK

C-HVSL800022XXXX

C-HVSL800022XXXX

SIZE A3	DWG NO. C-HVSL800022XXXX	REV 8
CODE: 58982	SCALE: 1:1	SHEET 3 OF 3