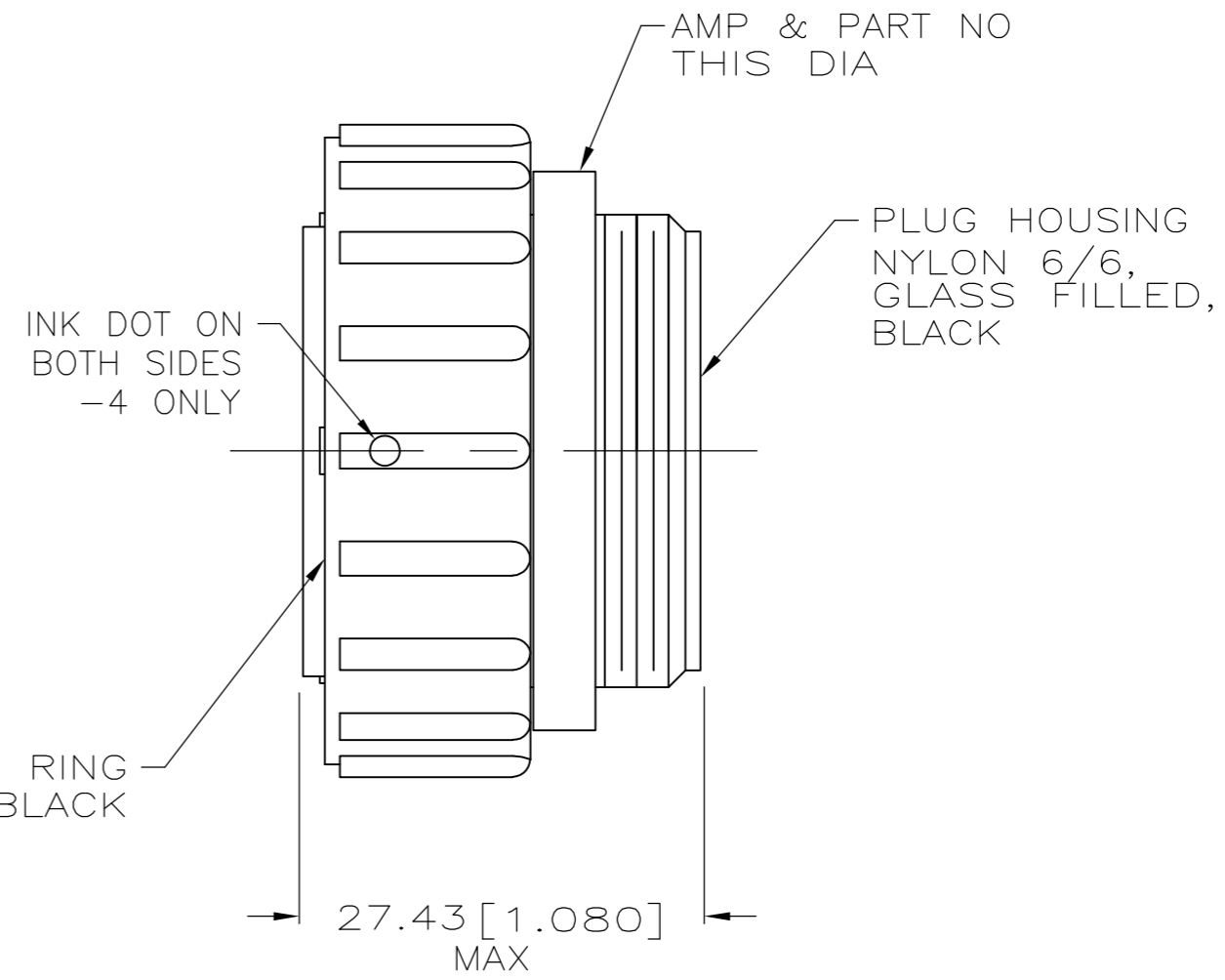
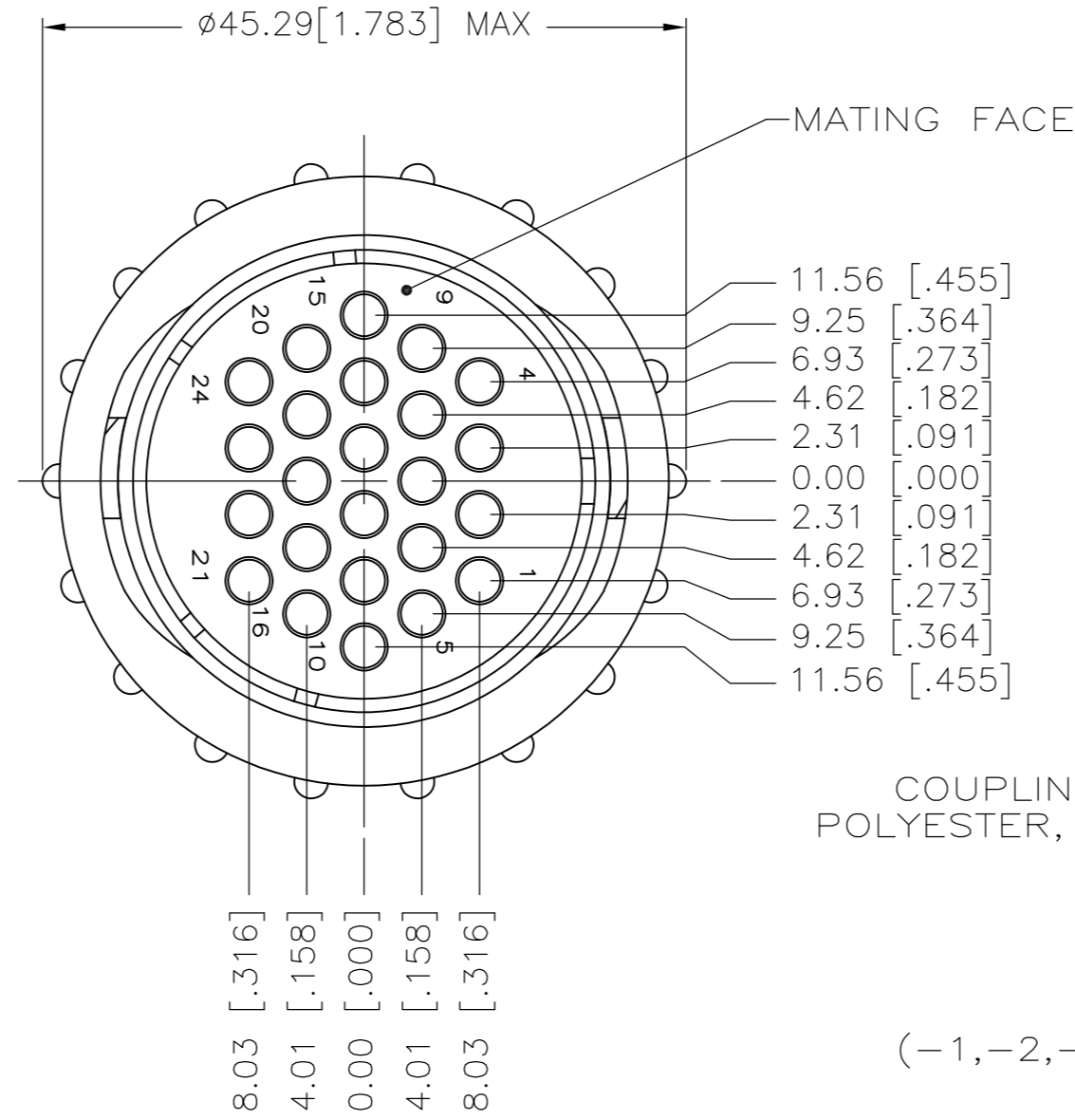
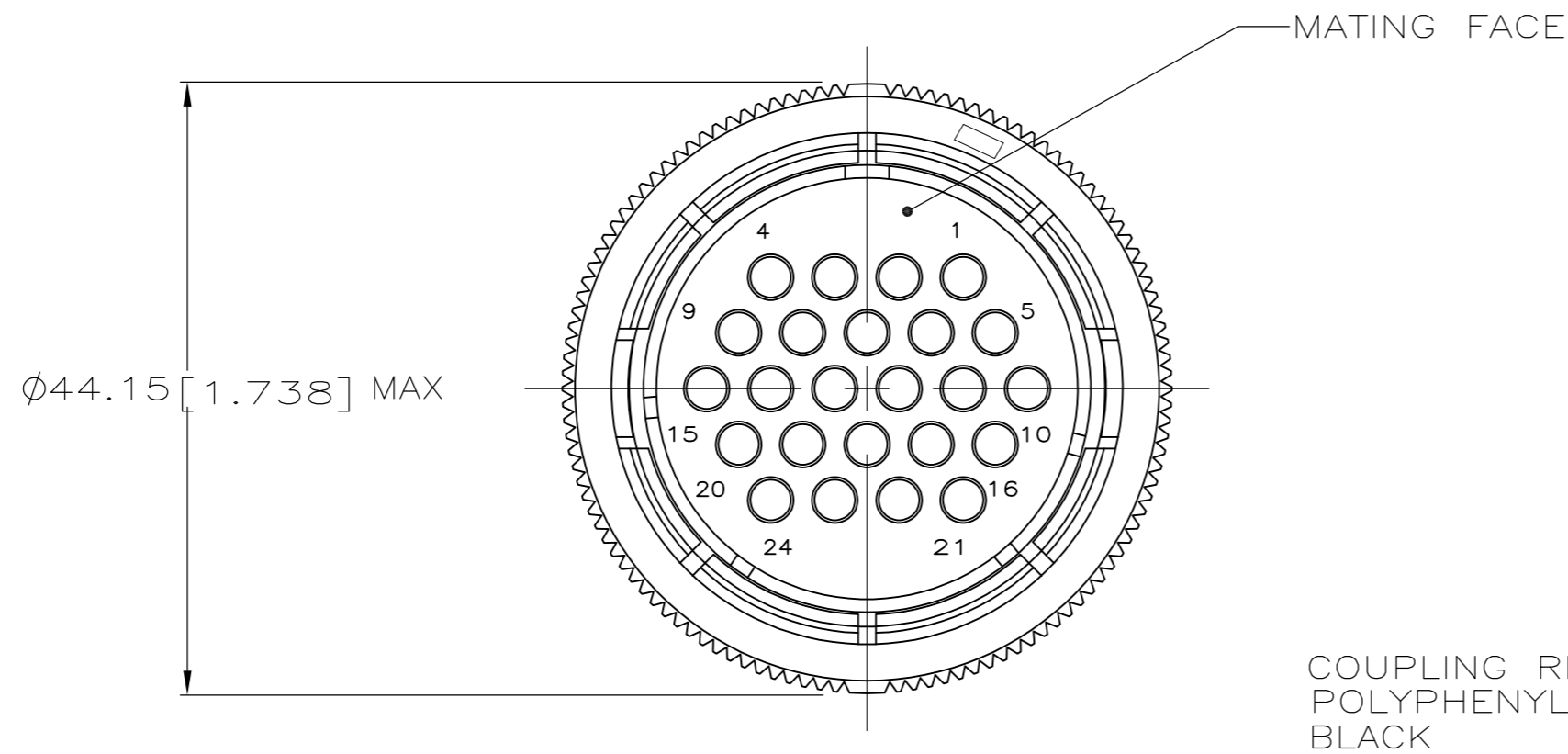


THIS DRAWING IS UNPUBLISHED. RELEASED FOR PUBLICATION
 © COPYRIGHT - By - ALL RIGHTS RESERVED.

| REVISIONS | | | | |
|-----------|-----|---------------------------|-----------|-------|
| P | LTR | DESCRIPTION | DATE | APVD |
| G3 | | REVISED PER ECO-16-004800 | 10SEP2016 | NK MZ |



(-1, -2, -4 & -5 ONLY)



(-3 ONLY)

| | | | |
|---|-----------|------------|-------------|
| 4 | OBsolete | STANDARD | 206837-5 |
| 5 | | STANDARD | 206837-4 |
| | | STANDARD | 206837-3 |
| | | SMALL PACK | 206837-2 |
| | | STANDARD | 206837-1 |
| | PACKAGING | | PART NUMBER |

- 1 CONNECTOR WILL ACCEPT (24) MULTIMATE SOCKET CONTACTS.
- 2 MAXIMUM INSULATION NOT TO EXCEED .150 DIA.
- 3 CONTACT CAVITIES IDENTIFIED BY CHARACTERS ON FRONT AND REAR FACE OF CONNECTOR.
- 4 WHITE DOT NEAR POSITION 1 ON WIRE ENTRY FACE.
- 5 PRELIMINARY PART NUMBER.

| | | | | |
|--|--|-----------------------------|-------------------------------|--|
| THIS DRAWING IS A CONTROLLED DOCUMENT. | | DWN S. RIDGLEY BG 31 JUL 90 | | |
| DIMENSIONS: mm [INCHES] | | CHK R. STONE 26 APR 91 | | |
| TOLERANCES UNLESS OTHERWISE SPECIFIED: | | APVD K. BEAVER 03 APR 91 | NAME | |
| 0 PLC ± - | | PRODUCT SPEC | 108-10024 | |
| 1 PLC ± - | | APPLICATION SPEC | - | |
| 2 PLC ± - | | WEIGHT | - | |
| 3 PLC ± - | | MATERIAL | SEE CALLOUT | |
| 4 PLC ± - | | FINISH | - | |
| ANGLES ± - | | CUSTOMER DRAWING | SCALE 2:1 SHEET 1 OF 1 REV G3 | |