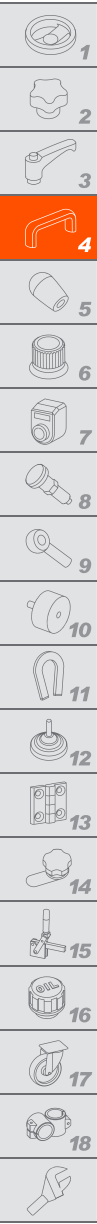


# RH-FG16-01 RH-FG16-04

## Tubular handles with electrical switch

with or without emergency push button, stainless steel



### HANDLE SHANKS

AISI 316 stainless steel, semi-matte sandblasted and polished surface obtained electrolytically

### TUBE

AISI 304 stainless steel, semi-matte sandblasted and polished surface obtained electrolytically

### BUTTON

Stainless steel.

### IP PROTECTION

IP 65 protection class, according to EN 60529 (see page ).

### STANDARD EXECUTIONS

- **RH-FG16-01**: push button with integrated normally open (NO) contact.
- **RH-FG16-04**: push button with integrated normally open (NO) contact and emergency stop button with two normally closed (NC) contacts.

### FEATURES AND APPLICATIONS

By pressing the button, the operator requires access to the protected area through external logic (PLC). This area is unlocked/locked through a solenoid located inside the protected zone and connected by a cable to the logic (PLC).

### ACCESSORIES ON REQUEST

- RHFZ-KS.G08.10: cable with M12x1 8-pin axial connector length 10 metres.
- RHFZ-KS.W08.10: cable with M12x1 8-pin angled connector length 10 metres.

### OTHER STANDARD EXECUTIONS

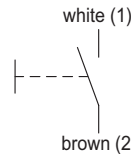
RH-FG16-00: single complementary handle without switch (see page -).

#### Electrical features

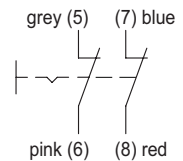
Tensione di esercizio pulsante	24 V AC/DC / 1 A
Tensione di esercizio pulsante di emergenza	1 ÷ 42 V AC/DC max. 100 mA



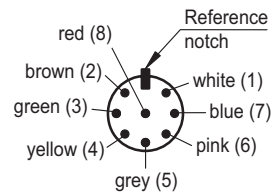
#### SWITCH



#### EMERGENCY SWITCH

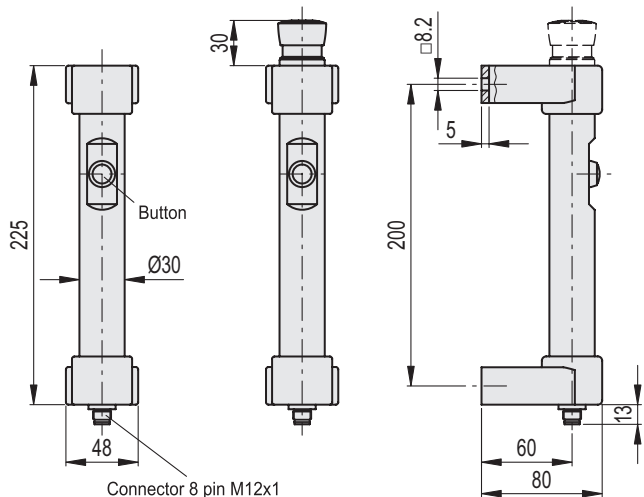


#### CONTACT WIRING CABLE



RH-FG16-01

RH-FG16-04



### RH-FG16-01

Code	⚖
RHFG16-01S.200.36	1204



### RH-FG16-04

Code	⚖
RHFG16-04S.200.36	1237



Handles

2