

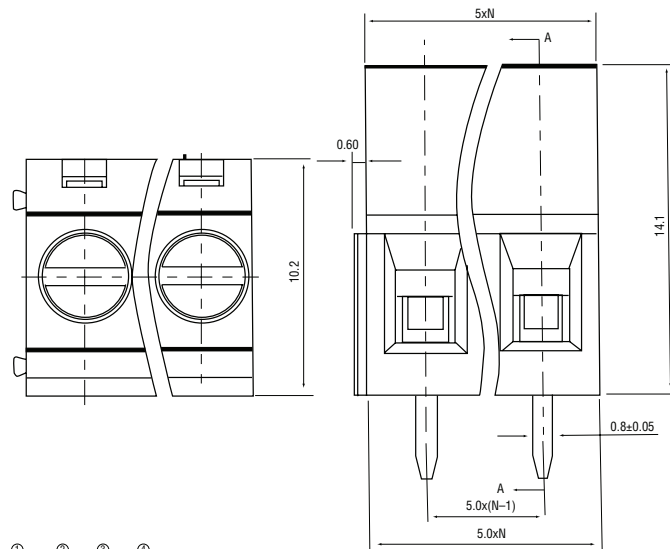
### Specifications:

- Pitch: 5.0mm
- Rated voltage/current: 300V/10A
- Operation temperature: -40°C ~ +105°C
- Withstanding voltage: AC2000V/1Min
- Insulation resistance: 5000MΩ/DC1000V
- Wire range: 24-12AWG, 2.5mm<sup>2</sup>
- Max. Torque value: 4.08kgf. cm



Order code  
 21-3002 2 pin  
 21-3003 3 pin

Pitch range in mm			Nominal dimension range in mm					-
to 6	over 6 to 10	over 10 to 24	to 30	over 30 to 60	over 60 to 100	over 100 to 150	over 150	
±0.10	±0.15	±0.25	±0.2	±0.3	±0.5	±0.7	±1.0	005/10



Item	Materials:	Notes
①	PA66	UL94V-0
②	Brass	SnCe
③	Brass	Ni plated
④	Steel	Cr <sup>3</sup> Zn

