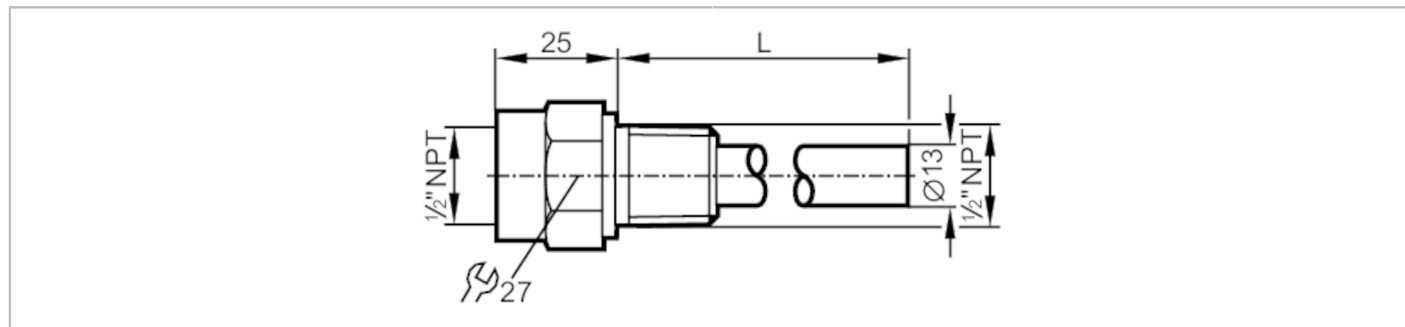


# E35110



## Thermowell for temperature sensors

THERMOWELL D10/NPT1/2/L=100



| Application             |                                |
|-------------------------|--------------------------------|
| Pressure rating [bar]   | 16                             |
| Measuring/setting range |                                |
| Probe length L [mm]     | 72                             |
| Mechanical data         |                                |
| Weight [g]              | 120.2                          |
| Materials               | stainless steel (1.4571/316Ti) |
| Sensor connection       | 1/2 NPT Ø 10 mm                |
| Process connection      | 1/2 NPT                        |
| Remarks                 |                                |
| Pack quantity           | 1 pcs.                         |