

MOTOR SUPPRESSOR

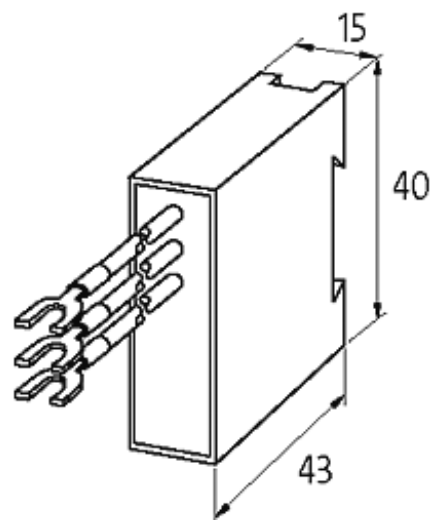
RC, 3x400...575VAC/4kW

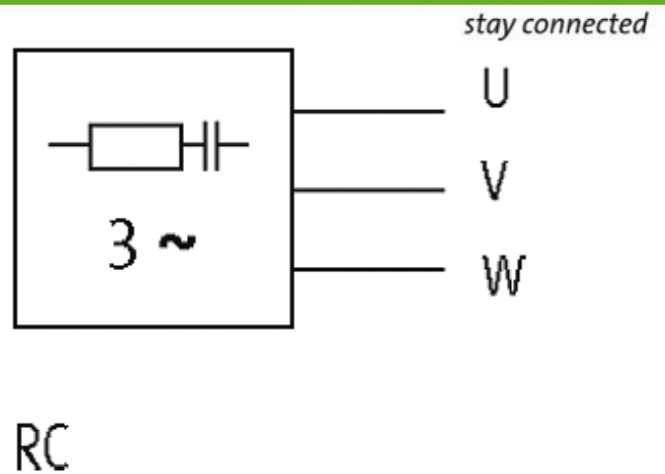
3 × 400 V AC

3 × 575 V AC

RC

For DIN-rail mounting use 1 × Art.-No. 20900 adapter feet Suppressors for other voltages, frequencies, and motor ratings available on request. Do not use RC motor suppressors with frequency inverters.

[Link to Product](#)**Illustration**



Product may differ from Image

Approvals



Technical Data

Material	Flame retardant plastic acc. to (UL 94)
Potting compound	2-component epoxy
Frequency	50...60 Hz

General data

Temperature range	-20...+60 °C
Connection	approx. 200 mm, single cores 0.35 mm ² self-securing fork terminal ends M4
Dimensions H × W × D	43×15×40 mm

Commercial data

country of origin	CZ
customs tariff number	85363010
minimum order quantity	1