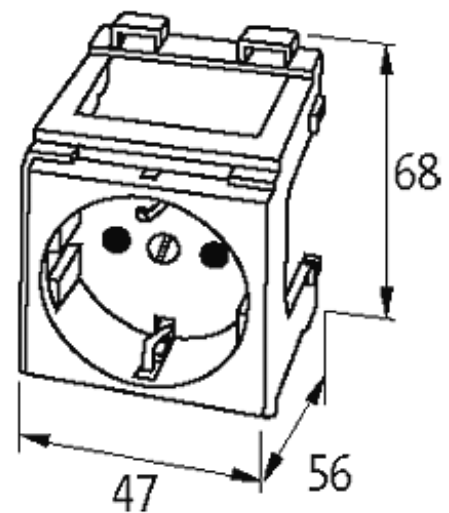


MODLINK MSVD CABINET POWER OUTLETS

India (IS 1293) 240 V AC/ 6 A

India (white)
Screw terminals[Link to Product](#)**Illustration**

Product may differ from Image

Approvals

IS 1293

Technical Data

Operating voltage	max. 240 V AC
-------------------	---------------

Operating current	max. 6 A
-------------------	----------

General data

Mounting method	DIN-rail mountable (EN 60715)
-----------------	-------------------------------

Connection	Screw terminals: max. 2 × 4 mm ²
------------	---

Dimensions H × W × D	52×47×57 mm
----------------------	-------------

Commercial data

country of origin	IN
-------------------	----

customs tariff number	85366990
-----------------------	----------

minimum order quantity	1
------------------------	---