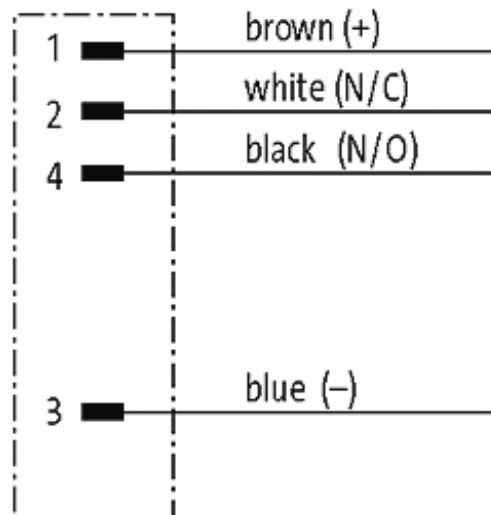


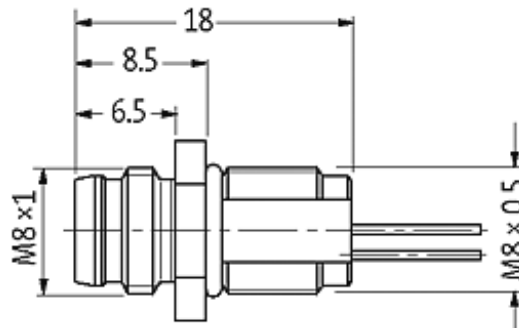
**M8 MALE FLANGE PLUG 1-2-3-4**

Wire 4x0.25 0.2m

Front mounting  
Flange M8 male  
with multi-strand wire  
4-pole

[Link to Product](#)**Illustration**

# Male



Product may differ from Image

## Form

08561

## Technical Data

Operating voltage	max. 30 V AC/DC
Operating current per contact	max. 4 A
Locking of ports	Screw thread M8 × 1 mm (recommended torque 0.4 Nm) self-securing
Protection	IP67 inserted and tightened (EN 60529)

## Cables

Cable number	971
No./diameter of wires	4 × 0.34 mm <sup>2</sup>
Wire isolation	PP (br, wh, bl, bk)
Shore hardness outer jacket	70 ± 5D
Outer diameter	approx. 1.25 mm
Bend radius (fixed)	5 × outer Ø
Bend radius (moving)	10 × outer Ø
Temperature range (fixed)	-40...+80 °C
Temperature range (mobile)	-25...+80 °C

## General data

Temperature range -25...+85 °C

**Commercial data**

country of origin DE

customs tariff number 85444290

minimum order quantity 1