

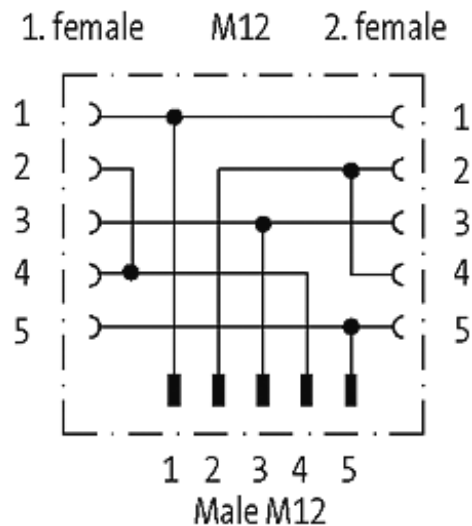
## T-COUPLER SLIMLINE M12-MALE 5P./ 2X M12-FEMALE 5P.

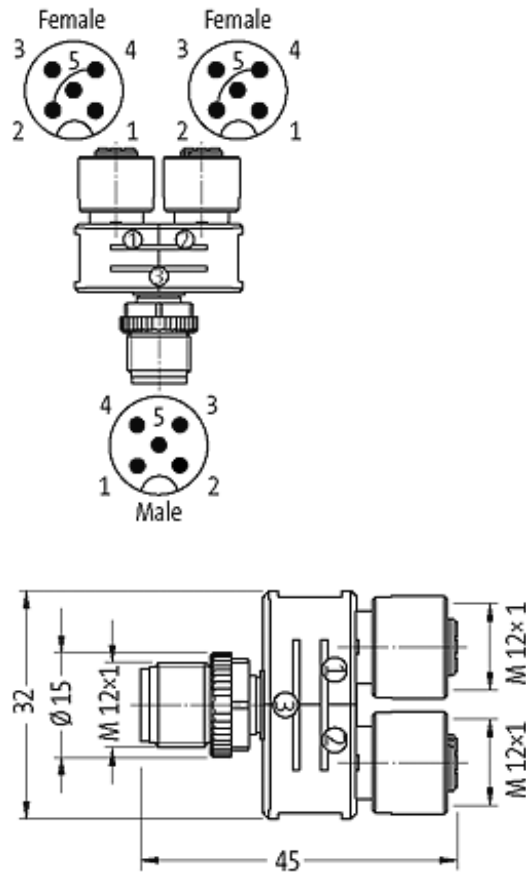
T-coupler (Slimline) M12 - M12  
5-pole  
Distribution function (NO/NC)

Plastic housings with good resistance against chemicals and oils. The resistance to aggressive media should be individually tested for your application. Further details on request.

### [Link to Product](#)

#### Illustration





Product may differ from Image

### Approvals



### Form

41191

### Technical Data

Operating voltage	max. 60 V AC/DC
Operating current per contact	max. 4 A
Locking of ports	Screw thread M12 × 1 mm (recommended torque 0.6 Nm) self-securing
Protection	IP67 inserted and tightened (EN 60529)

### General data

Temperature range	-25...+85 °C
-------------------	--------------

### Commercial data

country of origin	DE
customs tariff number	85369010
minimum order quantity	1