



Model Number

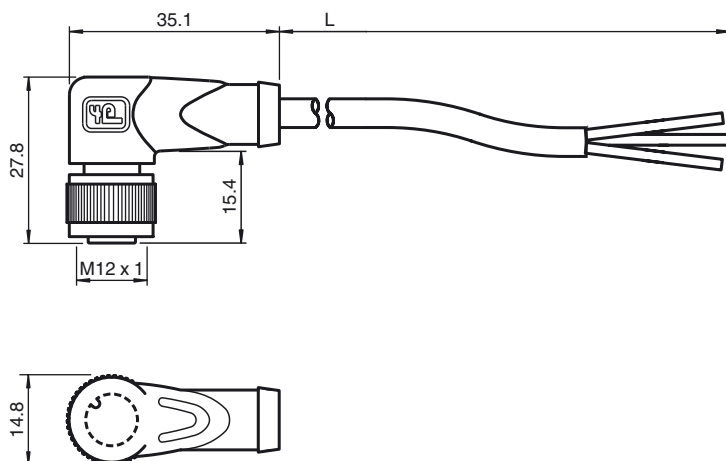
V1-W-E2/E3-5M-PUR

Cable socket, M12, LED, 4-pin, PUR cable

Features

- Built-in LED, as operating and function indicator
- Pins 2 and 4 bridged
- Knurled nut suitable for tool assembly
- Immunity to vibration, with mechanical latching
- Gold-plated and machined contacts
- Protection degree IP67 / IP68 / IP69K
- Halogen-free

Dimensions



Technical data

General specifications

| | |
|---------------------|-------------|
| Number of pins | 4 |
| Connection 1 | socket |
| Construction type 1 | right angle |
| Threading 1 | M12 |
| Connection 2 | cable end |

Indicators/operating means

| | |
|------------|------------------------|
| LED green | Operating display |
| LED yellow | Function display NO/NC |

Electrical specifications

| | | |
|--------------------|-------|------------------------|
| Operating voltage | U_B | max. 24 V DC \pm 15% |
| Operating current | | max. 4 A |
| Contact resistance | | < 10 m Ω |

Ambient conditions

| | |
|---------------------|--|
| Ambient temperature | -40 ... 90 °C (-40 ... 194 °F) cable, fixed: -40 ... 80 °C (-40 ... 176 °F) cable, flexing: -30 ... 80 °C (-22 ... 176 °F) |
| Pollution Degree | 3 |

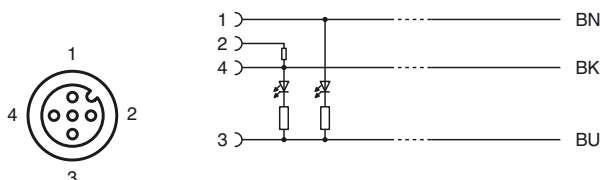
Mechanical specifications

| | | |
|------------------------|-------------------------------|-----|
| Contact elements | spring-loaded contact socket | |
| Pin diameter | 1 mm | |
| Protection degree | IP67 / IP68 / IP69k | |
| Material | | |
| Contacts | CuSn / Au | |
| Contact surface | Au | |
| Body | TPU, transparent | |
| Cable | PUR | |
| Slotted nut | Diecast zinc | |
| Core insulation | PP | |
| Cable | fine-strand, flexible | |
| Sheath diameter | \varnothing 4.8 mm | |
| Bending radius | > 10 x cable diameter, moving | |
| Color | grey | |
| Cores | 3 x 0.34 mm ² | |
| Conductor construction | 19 x 0.15 mm \varnothing | |
| Length | L | 5 m |
| Flammability | | |
| Contact material | 94 HB | |
| Housing | 94 V-2 | |

Compliance with standards and directives

| | |
|---------------------|---------------|
| Standard conformity | |
| Protection degree | EN 60529:2000 |

Electrical connection





Standards

IEC 61076-2-101:2008

Release date: 2013-08-13 17:41 Date of issue: 2013-08-13 034267_eng.xml